

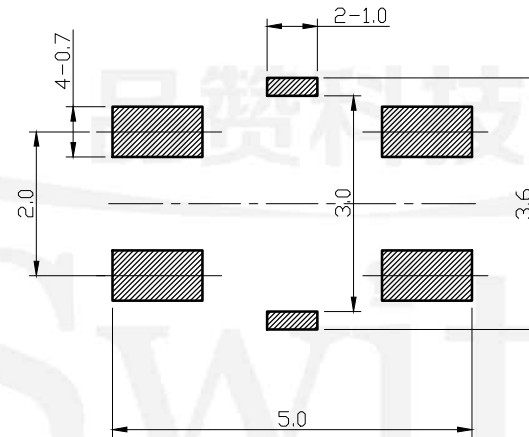
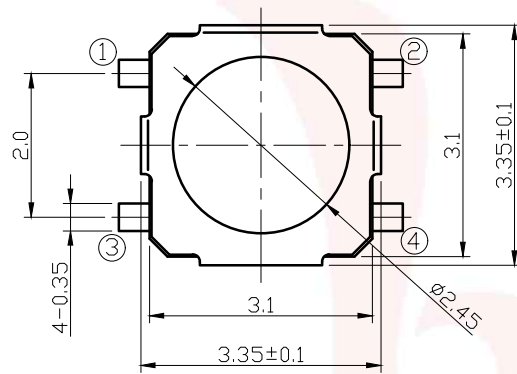
### GT-TC028A-H0070-L1

G-SWITCH

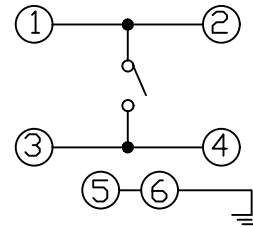
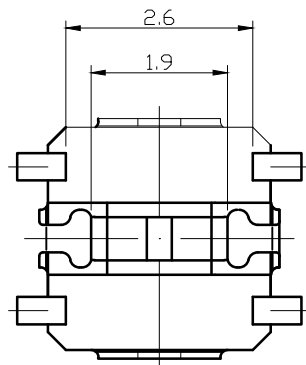
Operating Force  
A=160gf  
B=250gf

Switch Height (mm)  
H0070=0.7mm

Switch lifetime (Force)  
L1=100,000 Cycles  
L3=300,000 Cycles



P.C.B LAND  
DIMENSION



CIRCUIT  
DIAGRAM



**G-Switch Electronic (HongKong) CO.,Ltd.**

Unless otherwise specified, Tolerance:  
X. ±0.30  
X.x ±0.20  
X.xx ±0.15  
X.xxx ±0.10  
Angles ±3°

DESIGN Yvette Chen	DATE 2019.05.29
CHECKED	DATE
APPROVED	DATE
<a href="http://www.dg-switch.com">http://www.dg-switch.com</a>	
TEL:0769-82388879	

Molde code: GT-TC028A-H0070-L1		
REV.: X1	SCALE: 4:1	UNIT: mm
SIZE: A4	SHEET: 1/1	

#### G-Switch Specification:

Operating temperature range: -30°C to +85°C  
Rating: 50mA.12V DC  
Insulation resistance: 100MΩ min.100V DC  
Dielectric strength: 250V AC for 1 min  
Contact resistance: 100m Ω max.  
Travel: 0.20±0.05mm