

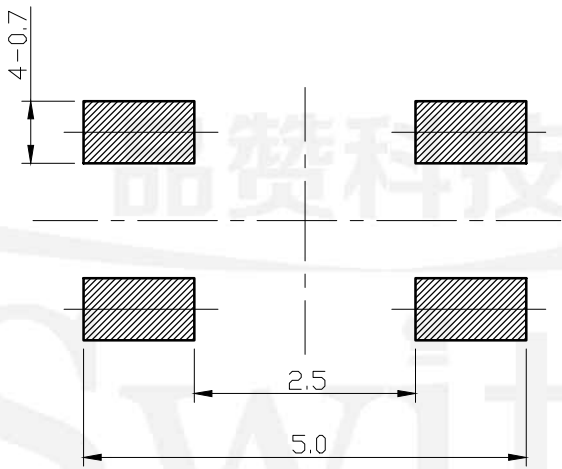
**GT-TC027B-H0070-L1**

**G-SWITCH**

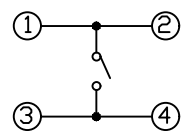
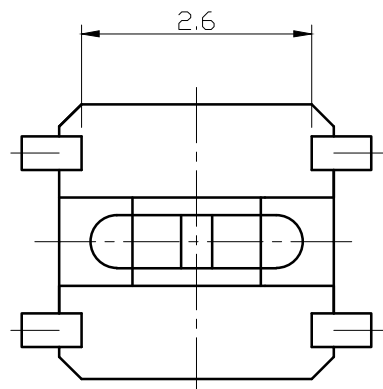
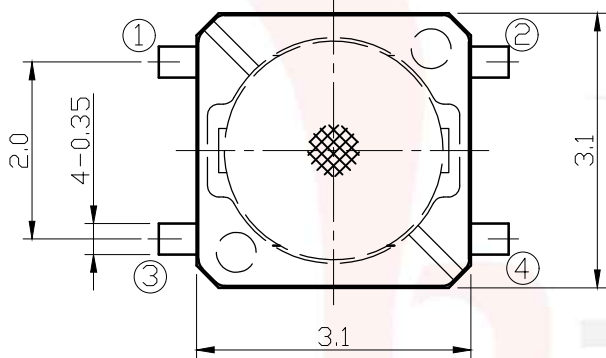
**Operating Force**  
A=160gf  
B=250gf

**Switch Height (mm)**  
H0070=0.7mm

**Switch lifetime (Force)**  
L1=100,000 Cycles  
L3=300,000 Cycles



P.C.B LAND  
DIMENSION



CIRCUIT  
DIAGRAM



**G-Switch Specification:**

Operating temperature range: -30°C to +85°C  
Rating: 50mA.12V DC  
Insulation resistance: 100MΩ min.100V DC  
Dielectric strength: 250V AC for 1 min  
Contact resistance: 100m Ω max.  
Travel: 0.20±0.05mm



**G-Switch Electronic (HongKong) CO.,Ltd.**

Unless otherwise specified, Tolerance: X.           ±0.30 X.x         ±0.20 X.xx        ±0.15 X.xxx       ±0.10 Angles      ±3°	DESIGN Yvette Chen	DATE 2019.05.29	Molde code:		
	CHECKED	DATE	GT-TC027B-H0070-L1		
	APPROVED	DATE	REV.: X1	SCALE: 4:1	UNIT: mm
	<a href="http://www.dg-switch.com">http://www.dg-switch.com</a>		SIZE: A4	SHEET: 1/1	
TEL:0769-82388879					