

GT-TC025D-H0065-L1

G-SWITCH

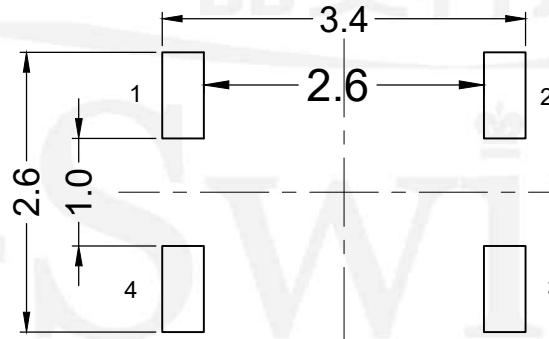
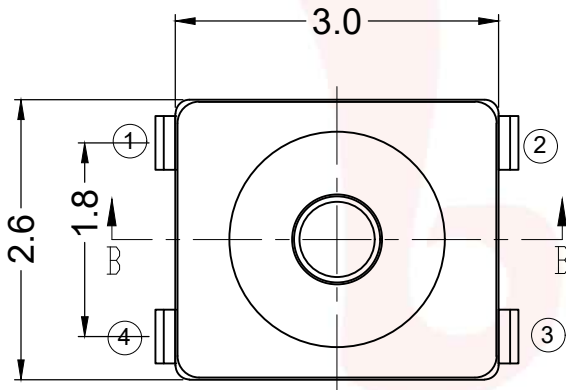
Operating Force

- A=160gf
- B=200gf
- C=300gf
- D=250gf
- E=120gf

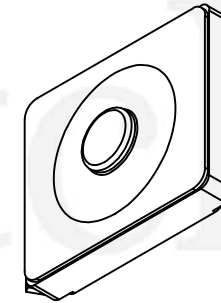
Switch Height (mm)
H0065=0.65mm

Switch lifetime (Force)

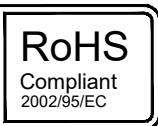
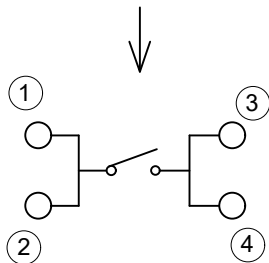
- L1=100,000 Cycles
- L3=300,000 Cycles



P.C.B LAND DIMENSION



Circuit Diagram



G-Switch Electronic (HongKong) CO.,Ltd.

Unless otherwise specified, Tolerance:
 X. ±0.30
 X.x ±0.20
 X.xx ±0.15
 X.xxx ±0.10
 Angles ±3°

DESIGN Yvette Chen DATE 2019.05.29
 CHECKED DATE
 APPROVED DATE
<http://www.dg-switch.com>
 TEL:0769-82388879

Molde code:
GT-TC025D-H0065-L1
 REV.: X1 SCALE: 4:1 UNIT: mm
 SIZE: A4 SHEET: 1/1