

GT-TC025B-H0065-L1

G-SWITCH

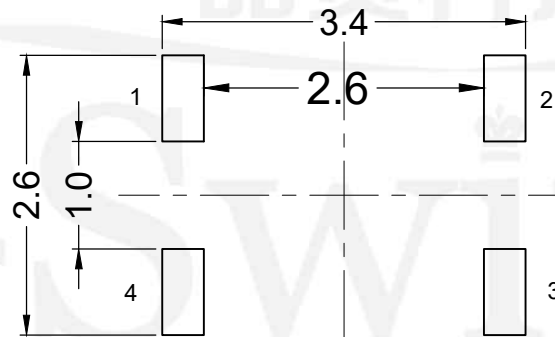
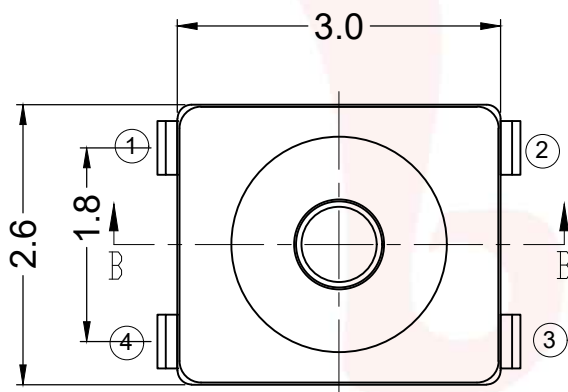
Operating Force

- A=160gf
- B=200gf
- C=300gf
- D=250gf
- E=120gf

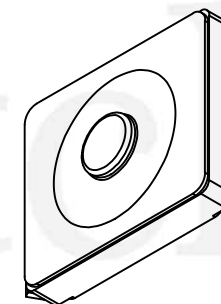
Switch Height (mm)
H0065=0.65mm

Switch lifetime (Force)

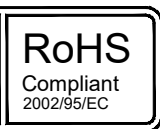
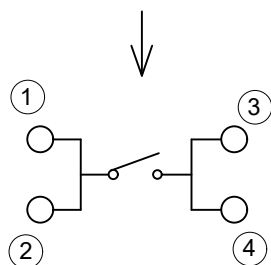
- L1=100,000 Cycles
- L3=300,000 Cycles



P.C.B LAND DIMENSION



Circuit Diagram



G-Switch Electronic (HongKong) CO.,Ltd.

Unless otherwise specified, Tolerance:
 X. ±0.30
 X.x ±0.20
 X.xx ±0.15
 X.xxx ±0.10
 Angles ±3°

DESIGN Yvette Chen	DATE 2019.05.29
CHECKED	DATE
APPROVED	DATE
http://www.dg-switch.com	
TEL:0769-82388879	

Molde code: GT-TC025B-H0065-L1		
REV.: X1	SCALE: 4:1	UNIT: mm
SIZE: A4	SHEET: 1/1	