

**GT-TC025A-H0065-L1**

**G-SWITCH**

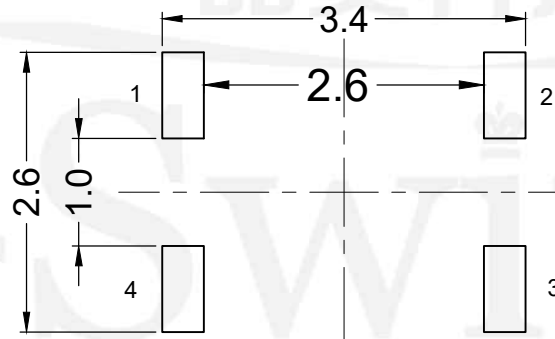
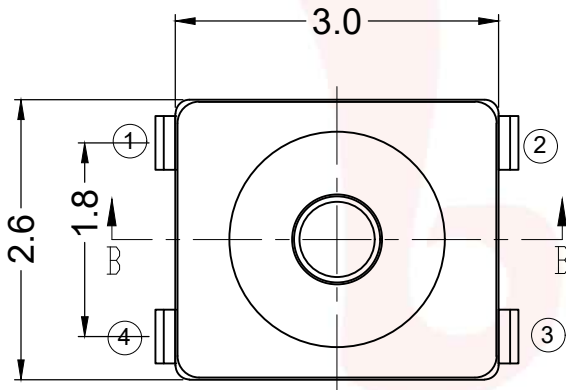
**Operating Force**

- A=160gf
- B=200gf
- C=300gf
- D=250gf
- E=120gf

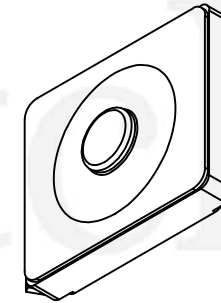
**Switch Height (mm)**  
H0065=0.65mm

**Switch lifetime (Force)**

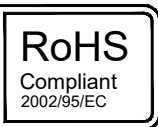
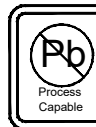
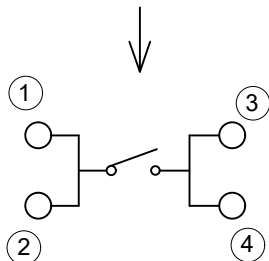
- L1=100,000 Cycles
- L3=300,000 Cycles



**P.C.B LAND DIMENSION**



**Circuit Diagram**



**G-Switch Electronic (HongKong) CO.,Ltd.**

Unless otherwise specified, Tolerance:  
 X. ±0.30  
 X.x ±0.20  
 X.xx ±0.15  
 X.xxx ±0.10  
 Angles ±3°

DESIGN Yvette Chen DATE 2019.05.29  
 CHECKED DATE  
 APPROVED DATE  
<http://www.dg-switch.com>  
 TEL:0769-82388879

Molde code:  
**GT-TC025A-H0065-L1**  
 REV.: X1 SCALE: 4:1 UNIT: mm  
 SIZE: A4 SHEET: 1/1