

### GT-TC101X-HXXX-LX

G-SWITCH

**Operating Force**

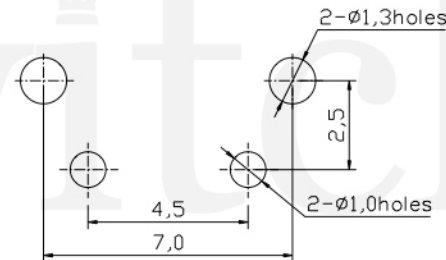
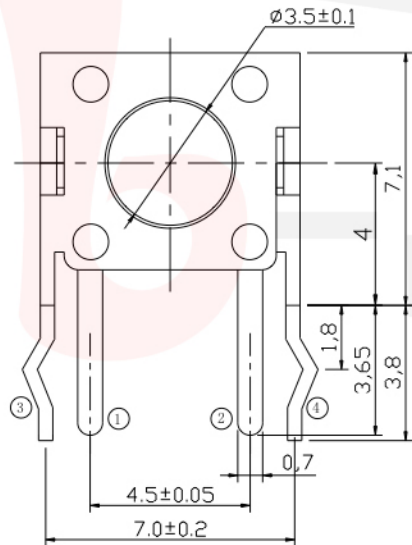
- A=160gf
- B=250gf
- C=100gf
- D=70gf
- E=130gf
- F=320gf
- G=400gf

**Switch lifetime (Force)**

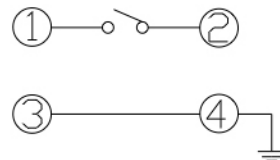
- L05=50,000 Cycles
- L1=100,000 Cycles
- L3=300,000 Cycles
- L5=500,000 Cycles

**Switch Height (mm)**

- H043=4.3(A3.5) H050=5.0(A3.5)
- H055=5.5(A3.5) H060=6.0(A3.5)
- H065=6.5(A3.5) H070=7.0(A3.3)
- H080=8.0(A3.3) H085=8.5(A3.3)
- H090=9.0(A3.3) H095=9.5(A3.0)
- H100=10.0(A3.0) H105=10.5(A3.0)
- H110=11.0(A3.0) H115=11.5(A3.0)
- H120=12.0(A3.0) H125=12.5(A3.0)
- H130=13.0(A3.0) H135=13.5(A3.0)
- H140=14.0(A3.0) H145=14.5(A3.0)
- H150=15.0(A3.0) ...



P.C.B LAND DIMENSION



CIRCUIT DIAGRAM

**G-Switch Specification:**

Operating temperature range : -30°Cto+85°C  
 Rating : 50mA.12V DC  
 Insulation resistance: : 100MΩ min.100V DC  
 Dielectric strength : 250V AC for 1 min  
 Contact resistance: : 100m Ω max.  
 Travel:0.25±0.1mm



	<b>G-Switch Electronic (HongKong) CO.,Ltd.</b>		
	DESIGN FengFengChen CHECKED APPROVED <a href="http://www.dg-switch.com">http://www.dg-switch.com</a> TEL:0769-82388879	DATE 2019.05.29 DATE DATE	Molde code: <b>GT-TC101X-HXXX-LX</b> REV.: X1 SCALE: 4:1 UNIT: mm SIZE: A4 SHEET: 1/1
Unless otherwise specified, Tolerance: X. ±0.30 X.x ±0.20 X.xx ±0.15 X.xxx ±0.10 Angles ±3°			