

GT-TC072X-HXXX-LX

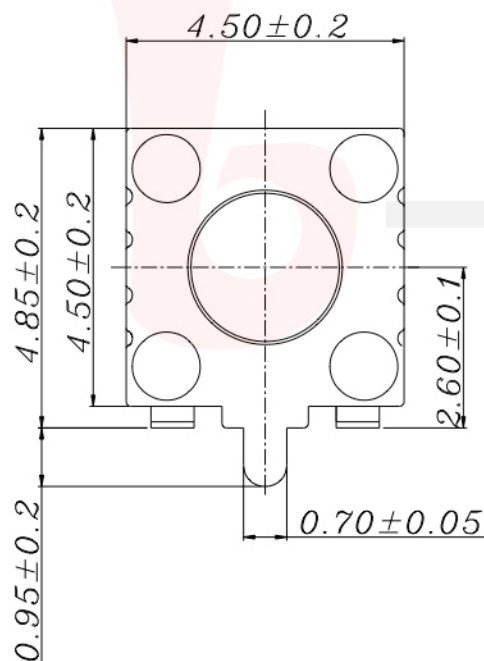
G-SWITCH



Operating Force
 A=160gf
 B=250gf
 C=100gf

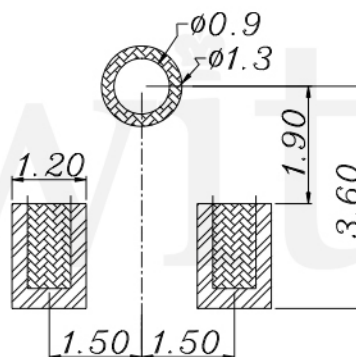
Switch Height (mm)
 H038=3.8mm
 H043=4.3mm

Switch lifetime (Force)
 L1=100,000 Cycles



品赞科技

G-Switch



PCB PLERING PLAN



CIRCUIT DIAGRAM



G-Switch Specification:

Operating temperature range : -30°Cto+85°C
 Rating : 50mA.12V DC
 Insulation resistance: : 100MΩ min.100V DC
 Dielectric strength : 250V AC for 1 min
 Contact resistance: : 100m Ω max.
 Travel:0.20±0.1mm

	G-Switch Electronic (HongKong) CO.,Ltd.		
	DESIGN FengFengChen CHECKED APPROVED http://www.dg-switch.com TEL:0769-82388879	DATE 2019.05.29 DATE DATE	Molde code: GT-TC072X-HXXX-LX REV.: X1 SCALE: 4:1 UNIT: mm SIZE: A4 SHEET: 1/1