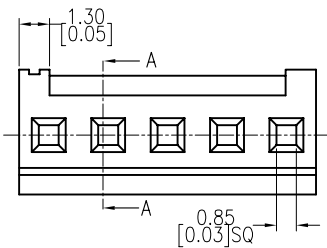
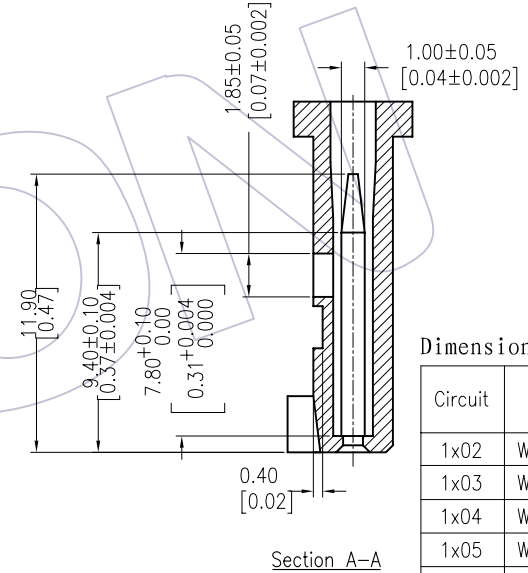
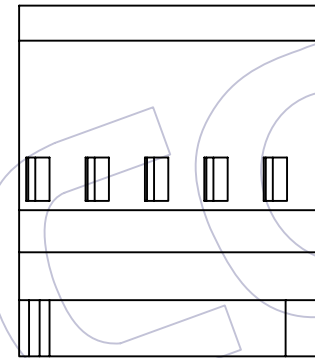
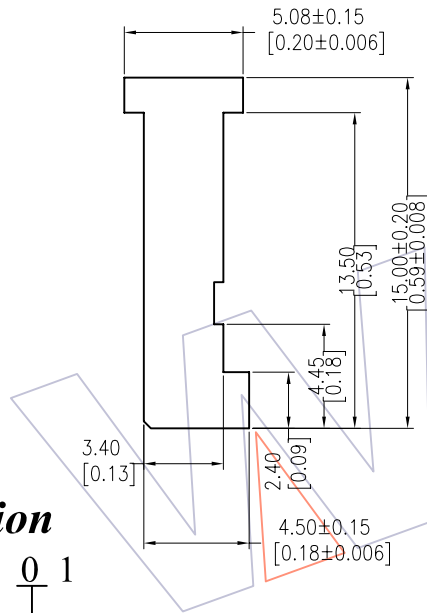
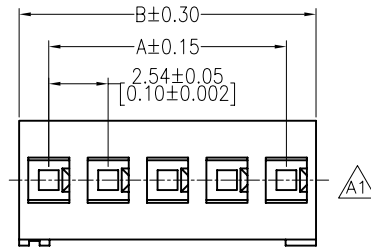


# HSF

NOTES:  
 Rated Current:3.0AMP  
 Contact Resistance:20mΩ max  
 Withstand Voltage:1000V AC/DC  
 Insulation Resistance:1000MΩ min  
 Operation Temperature:-40°C to +85°C  
 Insulator Material:PBT+30%G.F UL94V-0



## Ordering Information

WF2547 - 1 H XX X 0 1

No. of pins  
02P~20P

Color  
E=Beige  
W=White  
B=Black  
U=Blue

Packing  
0=PE Bag

### Dimensional & Ordering Information:

Circuit	Part No.	Dimension	
		A	B
1x02	WF2547-1H02U01	2.54	5.08
1x03	WF2547-1H03U01	5.08	7.62
1x04	WF2547-1H04U01	7.62	10.16
1x05	WF2547-1H05U01	10.16	12.70
1x06	WF2547-1H06U01	12.70	15.24
1x07	WF2547-1H07U01	15.24	17.78
1x08	WF2547-1H08U01	17.78	20.32
1x09	WF2547-1H09U01	20.32	22.86
1x10	WF2547-1H10U01	22.86	25.40
1x12	WF2547-1H12U01	27.94	30.48
1x15	WF2547-1H15U01	35.56	38.10
1x18	WF2547-1H18U01	43.18	45.72
1x20	WF2547-1H20U01	48.26	50.80

REV	DATE	MODIFICATION DESCRIPTION	CHANGE	OPERATION	DRAW BEN	DATE	SCALE	FIT	PART NO.
A1	2012/02/23	Modify drawing	—	X.X ±0.40	BEN	2012/02/23	UNIT mm		SEE TABLE
AO	2009/07/23	NEW	—	X.XX ±0.25	CHECK	DATE	SIZE A4		TITLE:
				X.XXX ±0.15	APPROVE	DATE	SHEET 1/1		"T" 2.54mm Housing Single Row
				Angle ± 3'			PROJ.		Customer NO.
				DIM TOL					

**WCON**  
[Http: www.wcon.com](http://www.wcon.com)

WCON-Dongguan  
 Tel: +86 769 85358920  
 Fax: +86 769 85358915  
 E-mail: sales@wcon.com

WCON-Kunshan  
 Tel: +86 512 57468408  
 Fax: +86 512 57468468  
 E-mail: salesks@wcon.com