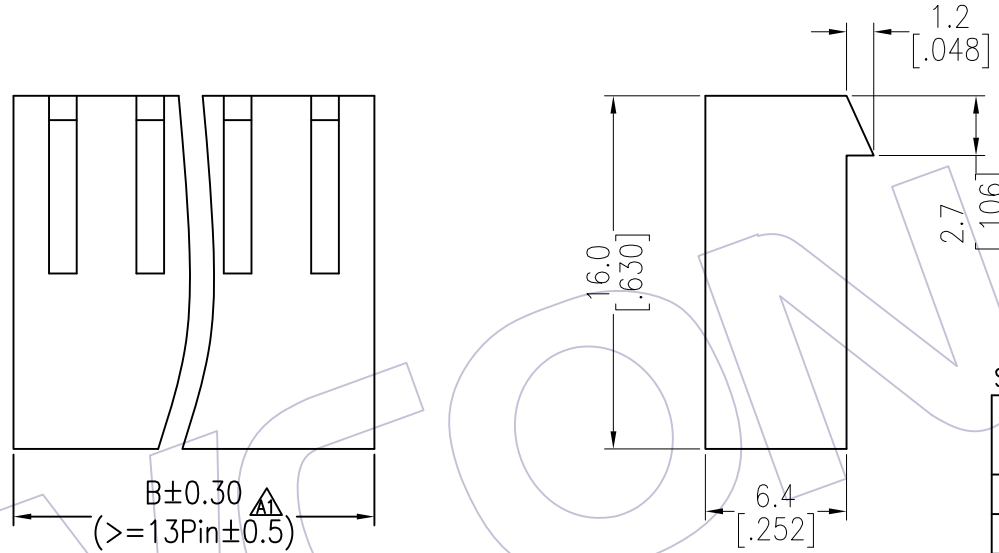


HSF

NOTES:
Rated Current:5.0AMP
Contact Resistance:20mΩ max
Withstand Voltage:1000V AC/DC
Insulation Resistance:1000MΩ min
Operation Temperature:-25℃ to +85℃

Insulator Material:PA66 UL94V-0
Use with:WF3961-T
Mated with:WF3961-Wafer



Specification & Ordering Information:

Circuit	Part No.	Dimension	
		A	B Δ
02	WF3961-H02W01	3.96	8.68
03	WF3961-H03W01	7.92	12.64
04	WF3961-H04W01	11.88	16.60
05	WF3961-H05W01	15.84	20.56
06	WF3961-H06W01	19.80	24.52
07	WF3961-H07W01	23.76	28.48
08	WF3961-H08W01	27.72	32.44
09	WF3961-H09W01	31.68	36.40
10	WF3961-H10W01	35.64	40.36
11	WF3961-H11W01	39.60	44.32
12	WF3961-H12W01	43.56	48.28
13	WF3961-H13W01	47.52	52.24
14	WF3961-H14W01	51.48	56.20
15	WF3961-H15W01	55.44	60.16
16	WF3961-H16W01	59.40	64.12

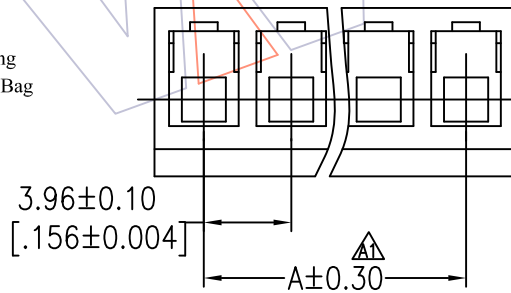
Ordering Information

WF 3961 - H XX W 0 1

No. of pins
02Pin~20Pin

Color
E=Beige
W=White

Packing
0=PE Bag



REV	DATE	MODIFICATION DESCRIPTION	CHANGE	OPERATION		DRAW	DATE	SCALE	FIT	PART NO.
				X.X	±0.40					
A1	2016/08/23	MODIFY DIM. B	Δ	X.XX	±0.25	CHECK	DATE	SIZE	A4	SEE TAB
AO	2012/09/11	NEW	—	X.XXX	±0.15	APPROVE	DATE	SHEET	1/1	TITLE: "M"TYPE 3.96 WAFER HOUSING
REV	DATE	MODIFICATION DESCRIPTION	CHANGE	Angle DIM	± 3' TOL					

WCON
Http: www.wcon.com

WCON-Dongguan Tel: +86 769 85358920 Fax: +86 769 85358915 E-mail: sales@wcon.com	WCON-Kunshan Tel: +86 512 57468408 Fax: +86 512 57468468 E-mail: salesks@wcon.com
---	--