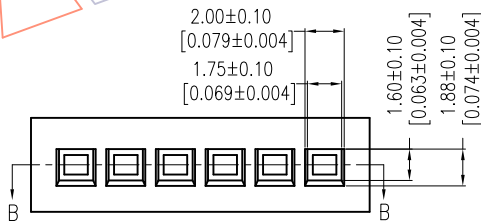
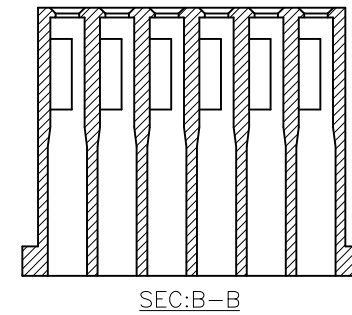
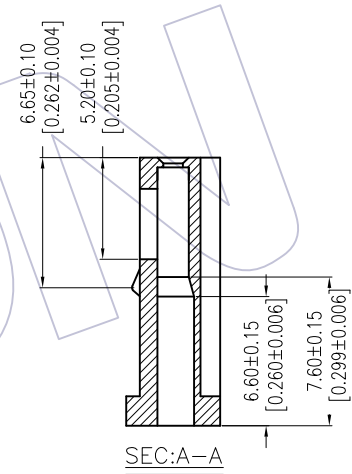
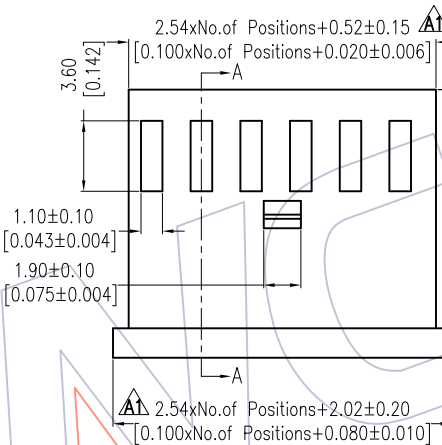
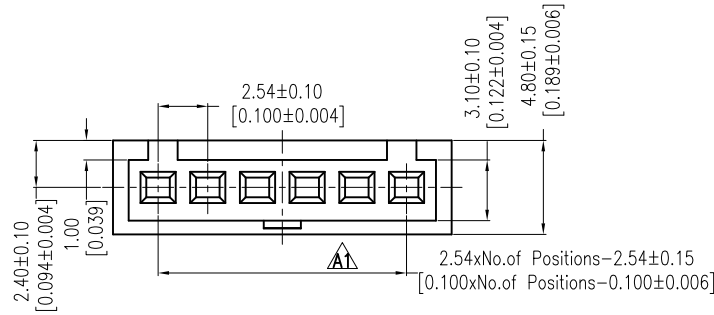


**HSF**

**NOTES:**

Rated Current:3.0AMP  
 Contact Resistance:20mΩ max  
 Withstand Voltage:1000V AC/DC  
 Insulation Resistance:1000MΩ min  
 Operation Temperature:-25℃ to +85℃  
 Insulator Material:PBT+30%G.F(UL94V-0)  
 Use with:WF2548-T  
 Mated With:WF2548-Wafer



**Ordering Information**  
**WF2548-1 H XX B 0 1**

No.of Pins Per Row:  
 02P~22P

Packing  
 0=PE Bag

				OPERATION		DRAW		DATE		SCALE		FIT		PART NO.		
				X.X	±0.40	Ding		2017/02/27		UNIT		mm		WF2548-1HXXB01		
				X.XX	±0.25	CHECK		DATE		SIZE		A4		TITLE:		
				X.XXX	±0.15	APPROVE		DATE		SHEET		1/1		2.54 Single Row T Type Housing		
REV	DATE	MODIFICATION DESCRIPTION		CHANGE	Angle	± 3'					PROJ.		Customer NO.			
					DIM	TOL										



WCON-Dongguan Tel: +86 769 85358920 Fax: +86 769 85358915 E-mail: sales@wcon.com  
 WCON-Kunshan Tel: +86 512 57468408 Fax: +86 512 57468468 E-mail: salesks@wcon.com