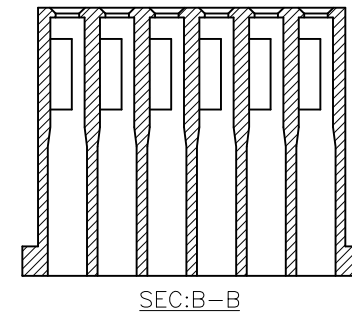
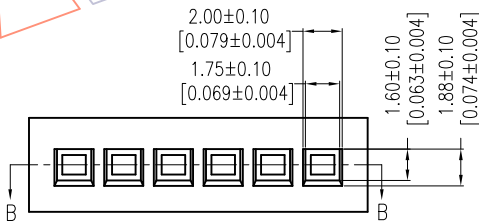
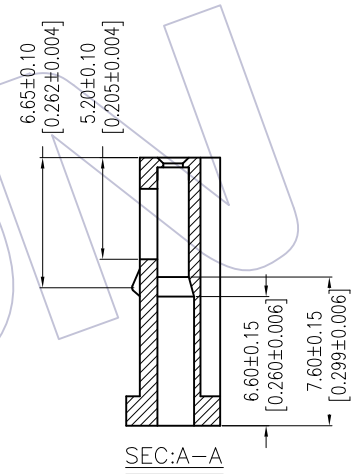
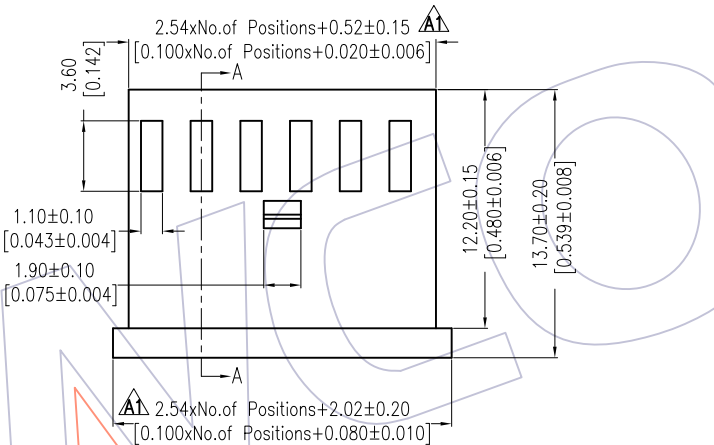
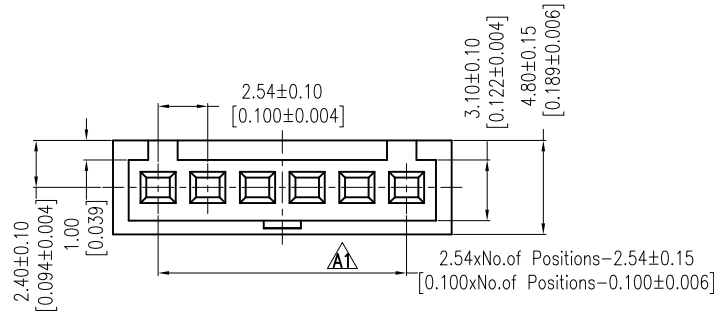


HSF

NOTES:

Rated Current:3.0AMP
 Contact Resistance:20mΩ max
 Withstand Voltage:1000V AC/DC
 Insulation Resistance:1000MΩ min
 Operation Temperature:-25℃ to +85℃
 Insulator Material:PBT+30%G.F(UL94V-0)
 Use with:WF2548-T
 Mated With:WF2548-Wafer



Ordering Information
WF2548-1 H XX B 0 1

No. of Pins Per Row:
 02P~22P

Packing
 0=PE Bag

REV	DATE	MODIFICATION DESCRIPTION	CHANGE	OPERATION		DRAW	DATE	SCALE	FIT	PART NO.	TITLE:	WCON	
				X.X	±0.40							Ding	2017/02/27
A1	2017/02/27	Modify	△	X.XX	±0.25	CHECK	DATE	UNIT	mm	WF2548-1HXXB01	2.54 Single Row T Type Housing	Tel: +86 769 85358920	Tel: +86 512 57468408
A0	2012/09/08	NEW	—	X.XXX	±0.15	APPROVE	DATE	SIZE	A4			Fax: +86 769 85358915	Fax: +86 512 57468468
				Angle	± 3'			SHEET	1/1	Customer NO.		E-mail: sales@wcon.com	E-mail: salesks@wcon.com
				DIM	TOL			PROJ.	⌀				



WCON-Dongguan
 Tel: +86 769 85358920
 Fax: +86 769 85358915
 E-mail: sales@wcon.com

WCON-Kunshan
 Tel: +86 512 57468408
 Fax: +86 512 57468468
 E-mail: salesks@wcon.com