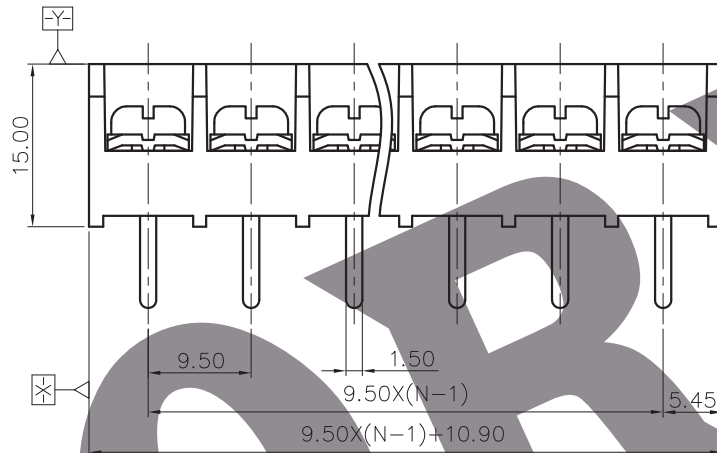
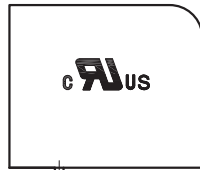
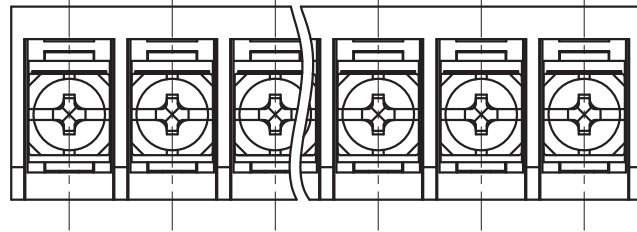


REVISION RECORD				
REV	ECN	DESCRIPTION	DRFT	DATE



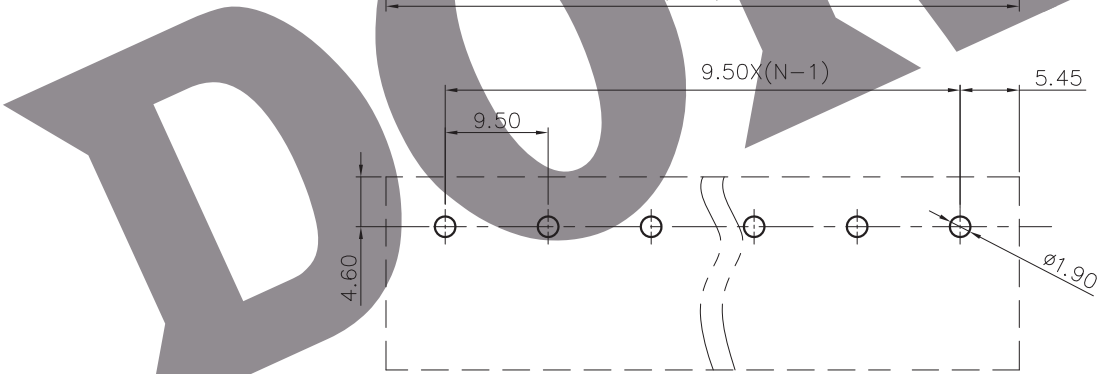
NOTES1:  
 UL Standard  
 1.Rated voltage/current : 300V / 30A  
 2.Torque value : M4 , 10.5Lb.in  
 3.Wire range : 22~10AWG

NOTES2:  
 1.Dimension shall be interpreted per ASME Y14.5-2009  
 2.Pitch : 9.50mm, Poles : N=02~26P  
 3.Withstanding voltage : AC1600V/1Min  
 4.Operating temperature: -40°C~+105°C  
 5.Undimensioned tolerances:

Pitch range in mm		Nominal dimension range in mm					0.1/10												
TO	Over	TO	Over	TO	Over	TO													
6	6 TO 10	10	10 TO 24	30	30 TO 60	60	60 TO 100	100	100 TO 150	150	±0.15	±0.20	±0.30	±0.30	±0.50	±0.70	±1.00	±1.30	±2'

6.RoHS Compliance

DBT50B-9.5- XXP - 1Y - 00A (H)  
 (Series No.) (Poles)(Single Pitch) (Color):1.(Grey)  
 2.(Blue)  
 3.(Black)  
 4.(Green)  
 5.(Orange)  
 6.(Red)  
 7.(Transparent)  
 8.(Yellow)  
 9.(White)



PCB LAYOUT

DETACHED LISTS	PART NO.:	/			
	APPD:	/			
	CHKD:	/			
	DRFT:	/			
	THIRD ANGLE PROJECTION		DRAWING NO.:		REV
		/		SHEET	1/1
		NAME:		SCALE	1:1
		DORABO 慈溪市地博电子有限公司 CIXI DORABO ELECTRONICS CO.,LTD			
		TITLE: CUSTOMER DRAWING			
		NAME: DBT50B-9.5-XXP-1Y-00A(H)			