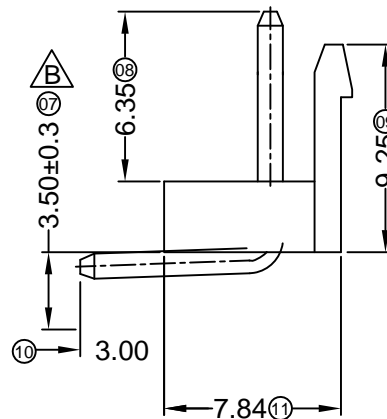


Recommended P.C.B Layout
General Tolerance±0.05



Specifications :

- Voltage rating: 250V AC / DC
- Current rating: 7A AC / DC
- Withstanding voltage: 1500V AC/minute
- Temperature range: -25°C~+85°C
- Insulation resistance: ≥1000MΩ
- Contact resistance: ≤10mΩ
- After environmental testing: ≤20mΩ

X9396 W R- XX-46 SN

① ② ③ ④ ⑤ ⑥

- ① Series No.
- ② Category: W-wafer
- ③ Welding Board Angle: R-90°
- ④ Row No.-Pin No. XX-02-12P
- ⑤ Material: 46-PA46 94-V0
- ⑥ Planting Category: SN-Bright tin plating

Poles	Dimensions(mm)		Poles	Dimensions(mm)	
	A	B		A	B
02	3.96	7.92	08	27.72	31.68
03	7.92	11.88	09	31.68	35.64
04	11.88	15.84	10	35.64	39.60
05	15.84	19.80	11	39.60	43.56
06	19.80	23.76	12	43.56	47.52
07	23.76	27.72			

X9396WR-XX-46SN	Nylon 46 UL 94V-0	Brass	Tin-Plated	X9396H
PART NO	Material	Material(Pin)	Finish(Pin)	Suitable XKB Terminal

For and on behalf of
XKB INDUSTRIAL PRECISION CO., LIMITED
香港星坤工業精密有限公司

MARK	DESCRIPTION	DATE	REVISED	APPROVED	UNSPECIFIED TOLERANCES
△ X					ANGULAR ±5°
△ X					L ≤ 4 ±0.2
△ X					4 < L ≤ 16 ±0.3
					16 < L ≤ 63 ±0.4
					L > 63 ±0.5

DSND	DATE	SCALE: N/A	MODEL TYPE: X9396WR-XX-46SN
DWN	DATE	VIEW:	PART NO.:
CHKD	DATE	UNIT: mm	3.96mm Crimp Style Connectors
APPD	DATE	SIZE: A4	DWG NO.:
			WEIGHT 1.0g
			SHEET 1/1
			REVISION A0

REVISIONS
Authorized Signature(s)

XKB INDUSTRIAL PRECISION CO., LIMITED