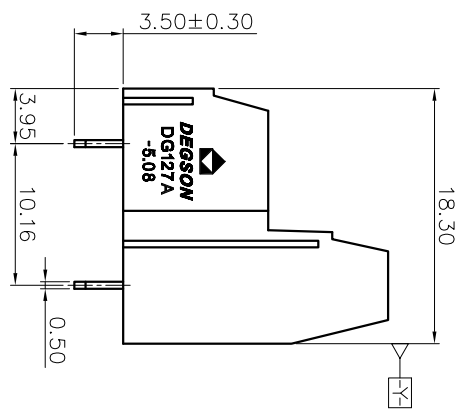
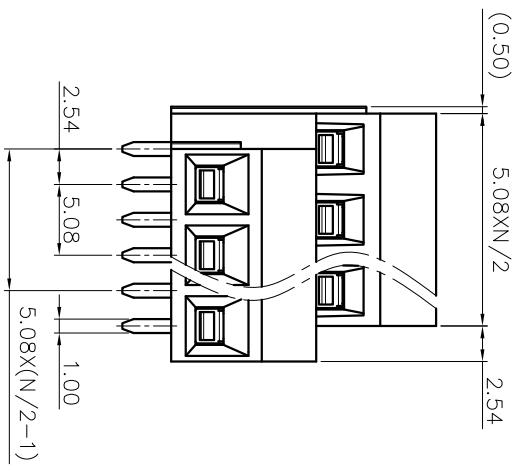
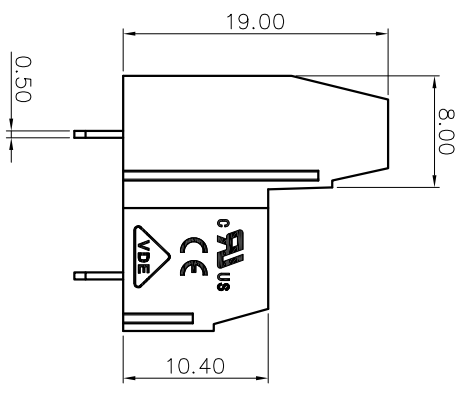
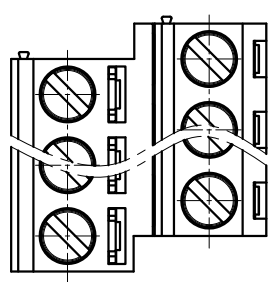


REVISION RECORD			
REV	ECN	DESCRIPTION	DRFT DATE

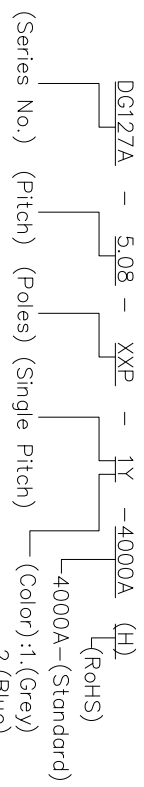


- NOTES1:
UL Standard
1. Rated Voltage/Current : 300V / 12A
2. Torque Value : M3 , 5.0Lb.in
3. Wire Range : 26~14AWG
- IEC Standard
1. Rated Voltage/Current : 250V / 15A
2. Torque Value : M3 , 0.5N.m
3. Wire Range : 0.5~1.5mm²

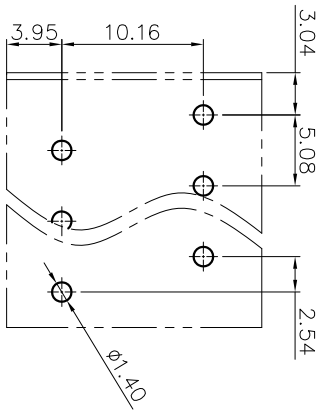
- NOTES2:
1. Dimension shall be interpreted per ASME Y14.5-2009
2. Pitch : 5.08mm, Poles : N=04~48P
3. Stripping length : 6~7mm
4. Withstanding Voltage : AC2000V/1Min.
5. Operating temperature: -40°C~+105°C
6. Undimensioned Tolerances:

Pitch Range	In mm		Nominal Dimension		Range
	mm	In	mm	In	
Over	6	10	Over	60	Over
TO	10	24	TO	100	TO
6	10	24	30	60	150
			30	100	150
			±0.15	±0.20	±0.30
			±0.30	±0.50	±0.70
			±1.00	±1.00	±1.30
					±2°

7. RoHS Compliance



- 4000A (H)
(RoHS)
4000A-(Standard)
2. (Blue)
3. (Black)
4. (Green)
5. (Orange)
6. (Red)
7. (Transparent)
8. (Yellow)
9. (White)



PCB LAYOUT

DETACHED LISTS			
PART NO.:	/	NAME:	DEGSON ® NINGBO DEGSON ELECTRICAL CO., LTD 宁波高松电子有限公司
APPD:	/	CHKD:	/
DRFT:	/	TITLE:	CUSTOMER DRAWING
THIRD ANGLE PROJECTION		DRAWING NO.:	/
		SCALE	DO NOT SCALE DRAWING
		REV	DO
		SHEET	1/1
		SCALE	1:1

A 8 7 6 5 4 3 2 1