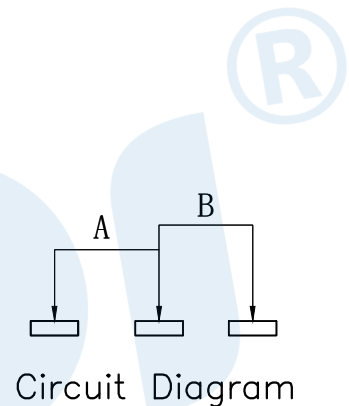
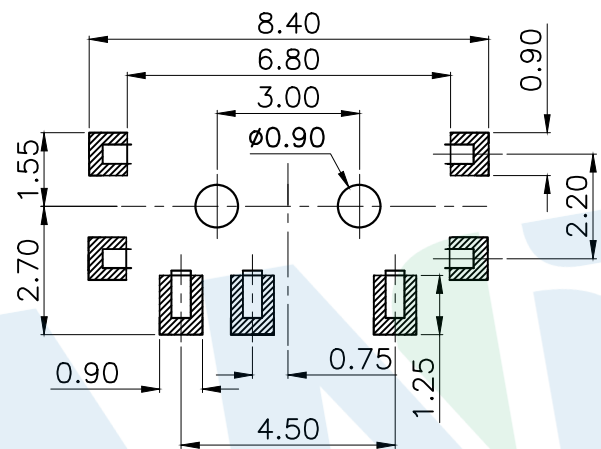
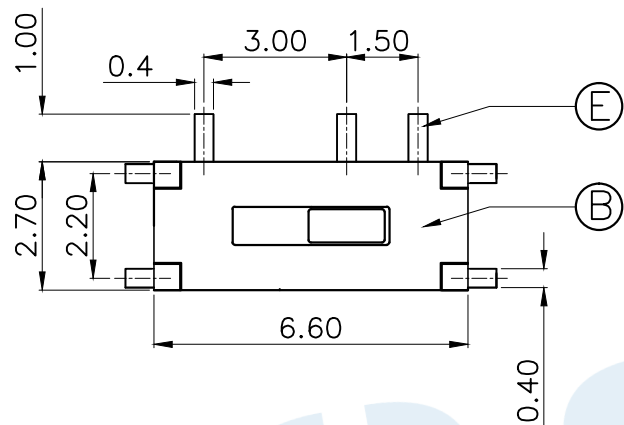
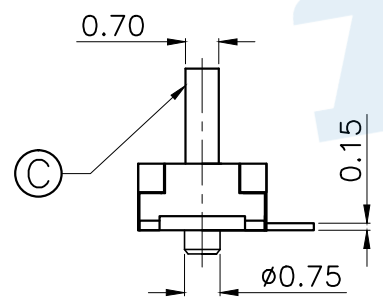
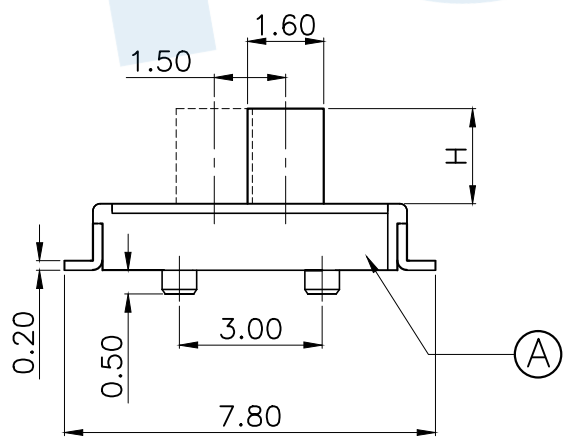


RoHS



PCB Layout(Pattern side)



Code	H	Operating force
A1	1.5	160±50gf
A2	2.0	

Ⓕ	Shrapnel		1	SUS	Natural
Ⓖ	Terminal		3	Phosphor bronze	Silver
Ⓓ	Contact reed		1	Beryllium copper	Silver covered
Ⓒ	Handle		1	Nylon	White
Ⓑ	Cover		1	Brass	Natural
Ⓐ	Base		1	LCP	Black
NO.	Name	Number	Qty	Materil	Remarks

YUANDI® Yuandi Electronics Co, Ltd

design	date	name	TOGGLE SWITCH
Review	date	model	TA-3524S-A□
Approved	date		

Drawing number: Proportion 1:1 unit mm gage number A4

angle	±2'		
10~30	±0.30		
5~10	±0.20		
~ 5	±0.10		
modify	Review	Approved	Tolerance not specified