

■ Specifications :

- Voltage rating: 600V AC / DC
- Current rating: Table
- Withstanding voltage: 2200V AC/minute
- Temperature range: -40°C~+105°C
- Insulation resistance: ≥1000MΩ
- Contact resistance: ≤5mΩ
- After environmental testing: ≤10mΩ
- Material: High conductive Brass
- Wire Range: AWG#12-16
- Insulation O.D.: 1.85mm(Max)
- Plating method: Blank-Stamping before plating

X5700T-XX-X

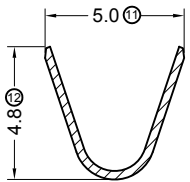
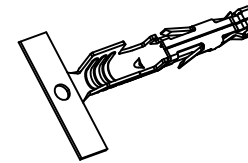
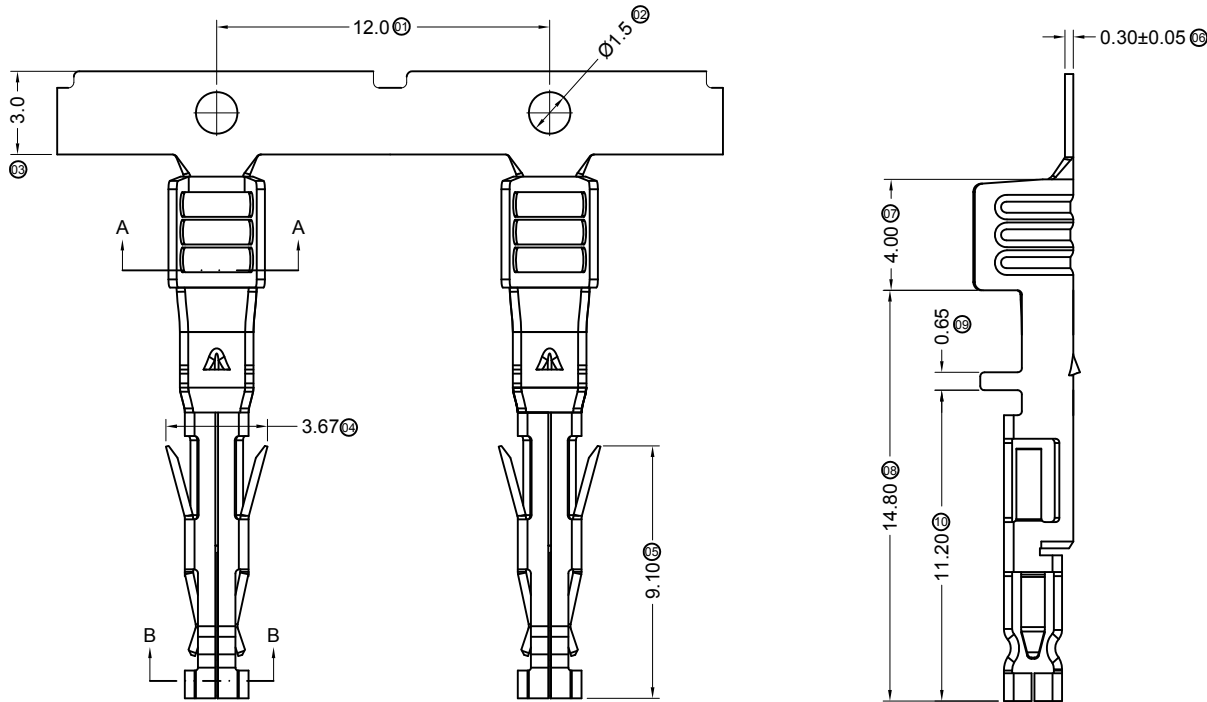
① ② ③ ④

- ① Series Number
- ② Category: T-terminal
- ③ Plating style:
G30- Contact Area gold 30u"Min, Ni 20u"Min
G15- Contact Area gold 15u"Min, Ni 20u"Min
SN-Bright tin plating 100u" Min Sn, Ni 50u"Min
- ④ Mold No./Mark/Special No.
L- Low foot (applicable to 14#/16 #)
H-Height (applicable to 12 #)

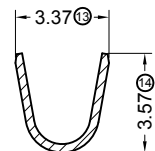
Current rating				
Ckt. Size	2	4	6	8~12
12 AWG, 4.0mm ²	21 A	18 A	16 A	14 A
14 AWG, 2.5mm ²	19 A	15 A	13 A	11 A
16 AWG, 1.5mm ²	15 A	13 A	11 A	10 A

X5700T-XX-X	High conductive Brass	X5700H	X5700W
PART NO	Material	Suitable XKB Terminal	Suitable XKB Terminal

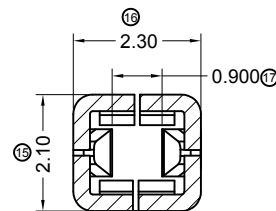
DSND	DATE	SCALE: N/A	MODEL TYPE: X5700T-XX-X
DWN	DATE	VIEW:	PART NO.:
CHKD	DATE	UNIT: mm	DWG NO.:
APPD	DATE	SIZE: A4	
XKB INDUSTRIAL PRECISION CO., LIMITED			WEIGHT 1.0g
			SHEET 1/1
			REVISION A0



SECTION A-A
SCALE 1:1
CONDUCTOR CRIMP 12 AWG



SECTION A-A
SCALE 1:1
CONDUCTOR CRIMP 14/16 AWG



SECTION B-B
SCALE 2:1

For and on behalf of
XKB INDUSTRIAL PRECISION CO., LIMITED
香港星坤工業精密有限公司

REVISIONS
Authorized Signature(s)

△ X					ANGULAR	±5°
△ X					L ≤ 4	±0.2
△ X					4 < L ≤ 16	±0.3
△ X					16 < L ≤ 63	±0.4
MARK					L > 63	±0.5
	DESCRIPTION	DATE	REVISED	APPROVED	UNSPECIFIED TOLERANCES	