

■特点 Features

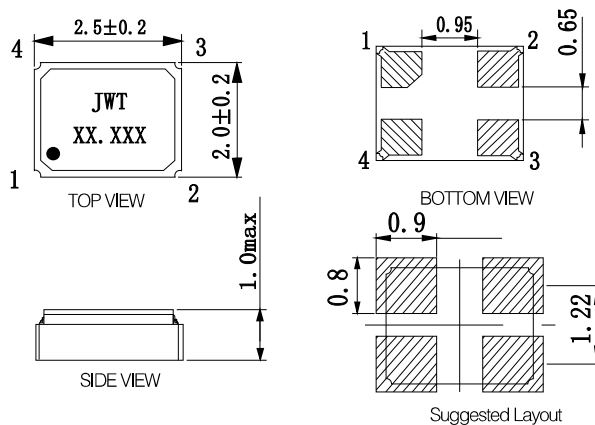
标准的 2.5 X 2.0 X 1.0 mm 陶瓷封装表面贴装形式
 3.3V 2.5V 1.8V工作电压
 可接受带控制端
 包装：每卷1000/2000/3000PCS
 Typical 2.5 X 2.0 X 1.0 mm ceramic SMD package
 3.3V 2.5V 1.8V Supply Voltage
 Tri-State function available
 Packing: Tape & Reel, 1000/2000/3000 pcs per Reel



■标准规格 Electronic Specification

型号 type	OSC 2520			Unit	
工作电压 Supply Voltage Variation(VDD)	3.3	2.5	1.8	V	
	VDD ± 10%			V	
频率范围 Frequency Range	0.032768, 1.25 ~ 125			MHz	
工作温度范围 Operating Temp.Range	-20 ~ 70/-40 ~ 85			°C	
频率稳定性 Frequency Stability	± 20 ~ ± 50			ppm	
输出负载 Output Load	15			PF	
输入电流 Supply Current					
	32.768KHz	70 Max	66 Max	63 Max	μ A
1.25MHz ~ 125MHz	15 Max	10 Max	7 Max	mA	
上升下降时间 Rise/Fall Time				nSec	
	32.768KHz	50 Max	50 Max		50 Max
	1.25MHz ~ 19.99MHz	4 Max	4 Max		5 Max
	20MHz ~ 79.99MHz	3 Max	3 Max		4 Max
80MHz ~ 125MHz	3 Max	3 Max	4 Max		
占空比 Duty Cycle	45 ~ 55			%	
启动时间 Start Time	2 Max			mSec	
输出水平 Out Level				V	
	Output Hight(Logic 1)	90%VDD Min			
Output Hight(Logic 0)	10%VDD Max				
三态输出 Tri-State				V	
	Enable (High voltage or floating)	0.7VDD Min			
Disable (Low voltage or GND)	0.3VDD Max				
待机电流 Standby Current	10			μ A	
贮存温度 Storage Temperature Range	-55 ~ 125			°C	

■外型尺寸 Outline Dimensions(Unit:mm)



PIN	Function
#1	Tri-State
#2	GND
#3	Output
#4	VDD