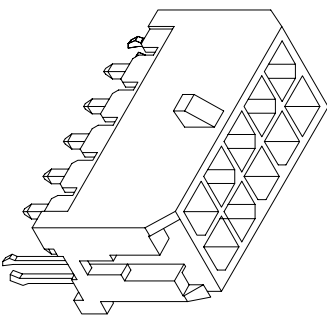
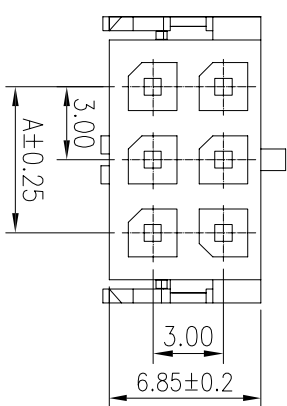
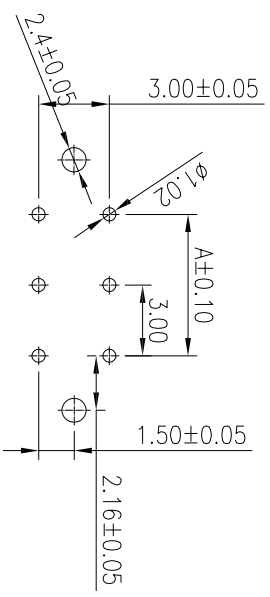
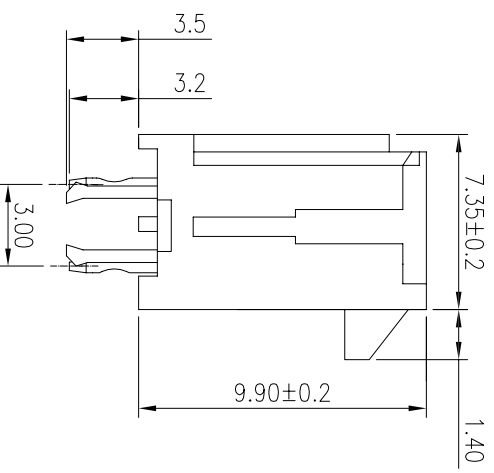
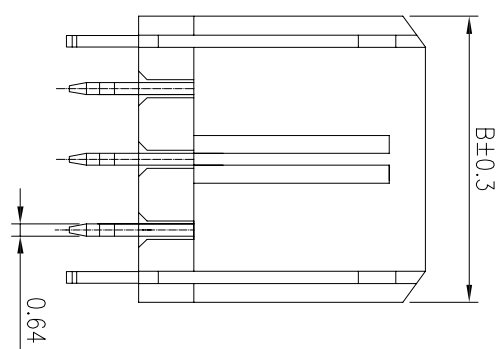


REV.	DATE	ECN NO.	MODIFICATION	APPROVER
A	2014/04/28	/	NEW	Vicky



- SPECIFICATIONS**
- 1.Voltage rating: AC,DC,250V
 - 2.Current rating: 5A,AC,DC
 - 3.Withstand voltage: 1500V AC/minute
 - 4.Working Temperature: -20℃~+85℃
 - 5.Insulation resistance: 1000MΩ Min
 - 6.Contact resistance: 10mΩ Max
- MATERIAL**
- 1.Insulator: Thermoplastic UL94V-0
 - 2.Contact: Copper Alloy
- PLATING**
- Tin Plated



Recommended P.C.B. Layout
Total tolerance:±0.05mm

PIN NO.	A	B
2*1P	6.65	
2*2P	3.00	9.65
2*3P	6.00	12.65
2*4P	9.00	15.65
2*5P	12.00	18.65
2*6P	15.00	21.65
2*7P	18.00	24.65
2*8P	21.00	27.65
2*9P	24.00	30.65
2*10P	27.00	33.65
2*11P	30.00	36.65
2*12P	33.00	39.65

GENERAL TOLERANCE			UNITS mm		
SELECT	✓				
TOL	1	2	3		
ON	±0.10	±0.08	±0.15		
X.XXX	±0.30	±0.25	±0.50		
X.XX	±0.20	±0.13	±0.25		
X.X	±0.30	±0.25	±0.50		
X.	±0.38	±1.00			
ANGLE	±1°				

NAME:	WF
PART NO:	WF300**-09***
APPD:	
CHKD:	
DR:	Cmy

TITLE:	Wafer3.0mm 2*XP DIP 180°无杆带鱼叉
DWG NO.	ATOM-A03811
SCALE	1:1
SHEET	1/1
REV	A

ATOM 深圳市爱特姆科技有限公司
SHENZHEN ATOM TECHNOLOGY CO., LTD.

