

C41

Water Cooled Resonant Capacitor

Water Cooled Resonant Capacitor C41-BA1



Characteristics

- Conduction water-cooled
- Polypropylene dielectric
- Low dissipation factor($\text{tg}\delta$), low ESL and low ESR
- High voltage, high frequency and high dv/dt
- High current resistance, excellent heat dissipation

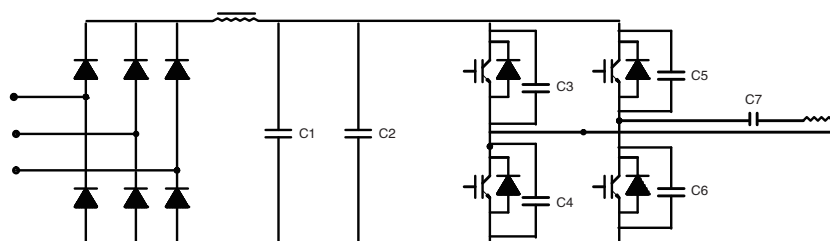
Application

- Widely used in high power and high frequency resonant devices

Technical Data

| | |
|----------------------------------|----------------------------------------------------------------|
| ● Reference standards | GB/T 3984-2004 IEC 60110.1 |
| ● Operating temperature range | -40°C~+85°C |
| ● Capacitance range | 0.1μF~85μF |
| ● Rated capacitance | 100kVar-1500 kVar |
| ● Rated voltage | 400VAC-1100VAC |
| ● Tolerance | ±5% ±10% |
| ● Test voltage between terminals | 1.5 U_{NAC} 10s |
| | 3.5 U_{NDC} 10s at 25°C±5°C |
| ● Dissipation factor | $\text{tg}\delta \leq 5 \times 10^{-4}$ at 25°C±5°C, 1kHz |
| ● Insulation resistance | $R \cdot C \geq 3000\text{s}$, at 100VDC, 25°C±5°C, 60s |
| ● Life expectancy | 100000h at U_{N} and 70°C, 30000h at U_{rms} |

Typical Circuit

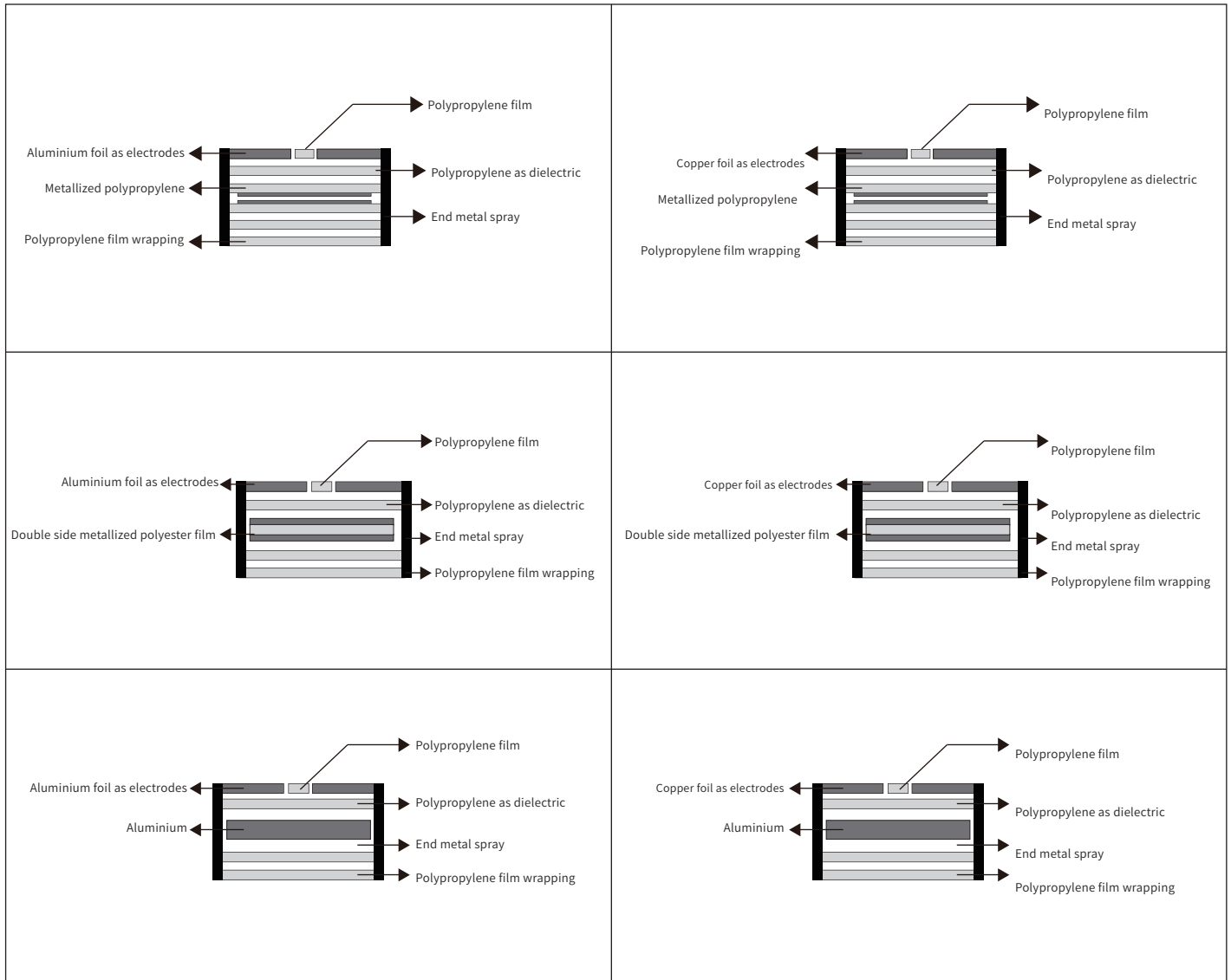


C7 is the water-cooled capacitor in the series resonant capacitor

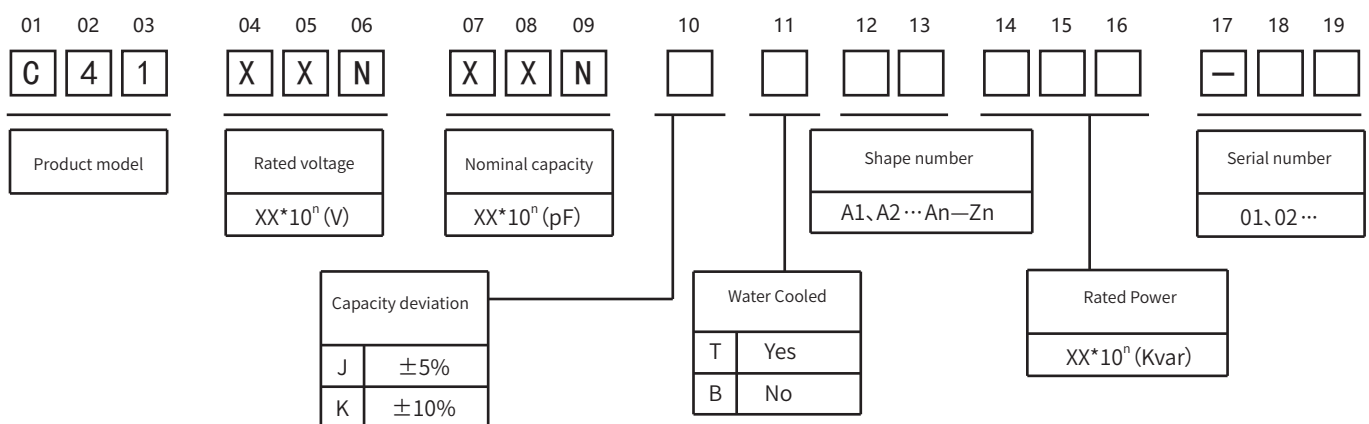
C41

Water Cooled Resonant Capacitor

Construction Diagram



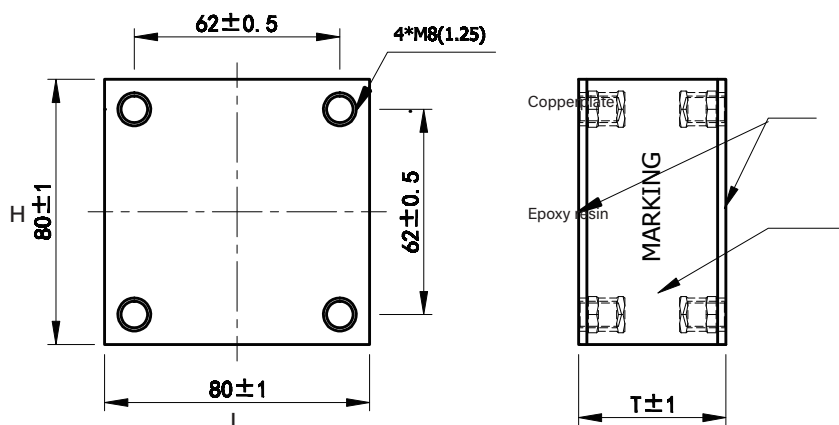
Product Coding



C41

Water Cooled Resonant Capacitor

C41—BA1



Article Table

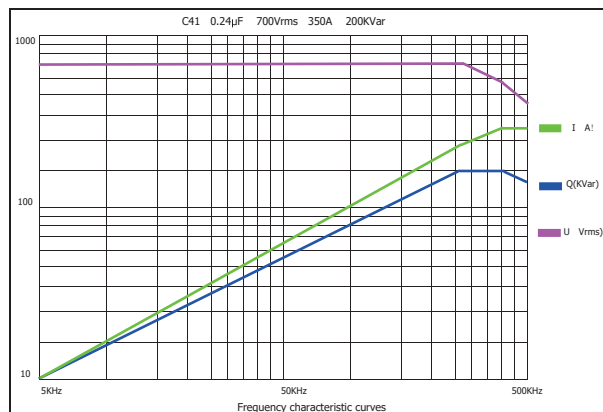
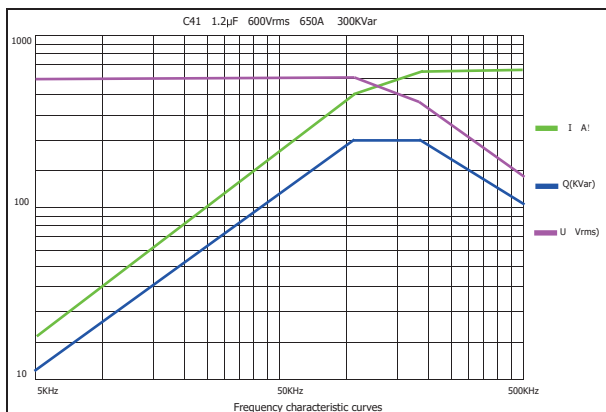
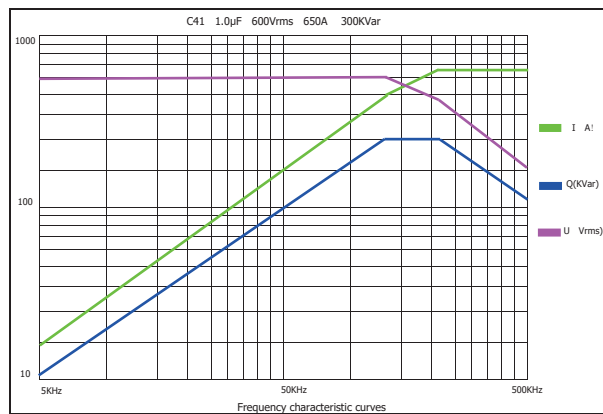
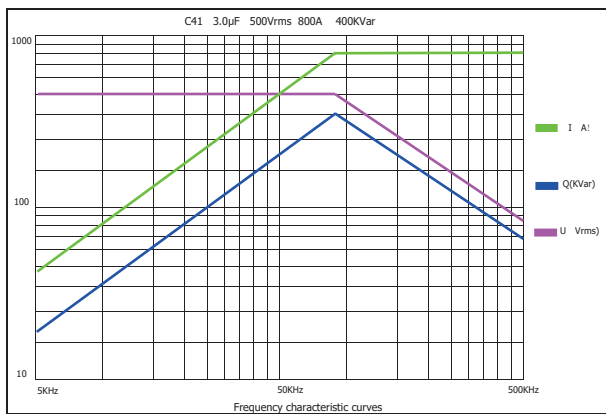
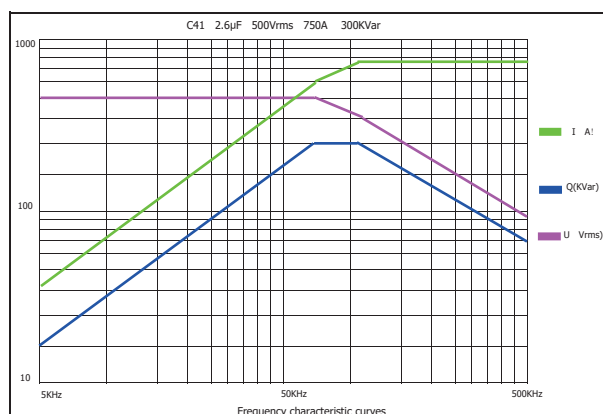
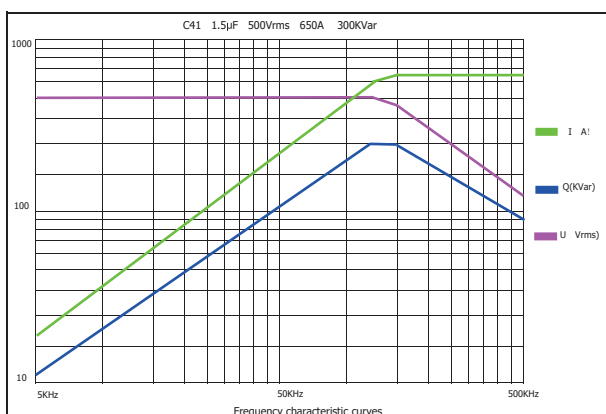
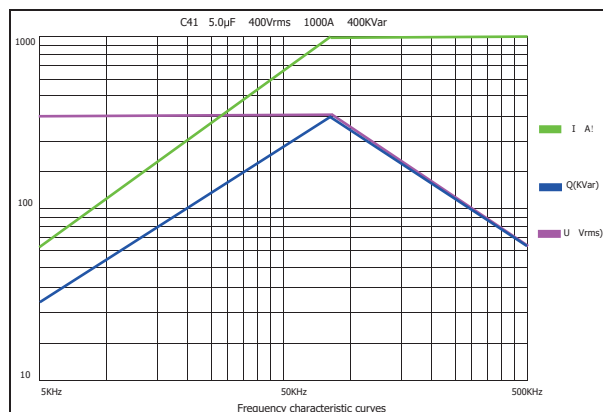
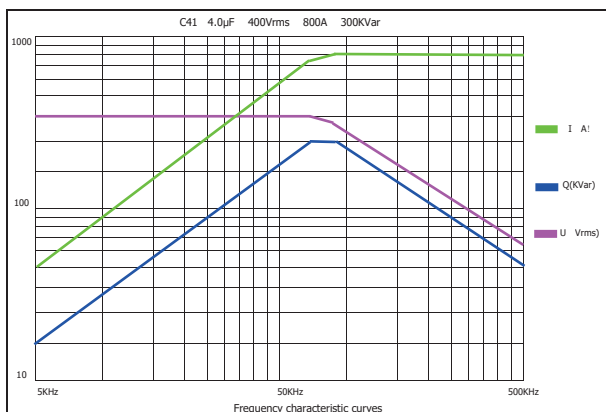
| Part Number | Rated Voltage Vrms | Nominal Capacitance μF at 1Khz | Max Irms A | Max Power kVar | Freq Range @Full Power (kHz) | ESR m Ω | Dimension (mm) | | | Case Code |
|---------------------|-----------------------|----------------------------------------------|---------------|-------------------|------------------------------------|-------------------|----------------|----|------|-----------|
| | | | | | | | L | H | T | |
| C41401405JBA1301-01 | 400 | 4.0 | 800 | 300 | 74.6~84.9 | 0.2 | 80 | 80 | 36.5 | BA1 |
| C41501155JBA1301-01 | 500 | 1.5 | 650 | 300 | 127.3~ 149.5 | 0.4 | 80 | 80 | 36.5 | BA1 |
| C41501265JBA1301-01 | 500 | 2.6 | 750 | 300 | 73.5~114.8 | 0.3 | 80 | 80 | 36.5 | BA1 |
| C41601105KBA1301-01 | 600 | 1.0 | 650 | 300 | 132.7~1224 | 0.4 | 80 | 80 | 36.5 | BA1 |
| C41601125KBA1301-01 | 600 | 1.2 | 650 | 300 | 110.6~ 186.9 | 0.4 | 80 | 80 | 36.5 | BA1 |
| C41701244KBA1201-01 | 700 | 0.24 | 350 | 200 | 270.8~ 406.4 | 1.3 | 80 | 80 | 36.5 | BA1 |
| C41701334KBA1301-01 | 700 | 0.33 | 500 | 300 | 295.4~402 | 1.0 | 80 | 80 | 36.5 | BA1 |
| C41701664KBA1301-01 | 700 | 0.66 | 500 | 300 | 147.7~201 | 0.8 | 80 | 80 | 36.5 | BA1 |
| C41701684JBA1301-01 | 700 | 0.68 | 500 | 300 | 143.4~195 | 0.8 | 80 | 80 | 36.5 | BA1 |
| C41102334KBA1301-01 | 1000 | 0.33 | 500 | 300 | 144.8~402 | 1.0 | 80 | 80 | 36.5 | BA1 |
| C41102664KBA1301-01 | 1000 | 0.66 | 500 | 300 | 72.4~201 | 0.8 | 80 | 80 | 36.5 | BA1 |
| C41102664KBA1401-01 | 1000 | 0.66 | 600 | 400 | 96.5~217 | 0.8 | 80 | 80 | 37.5 | BA1 |
| C41501305JBA1401-01 | 500 | 3.0 | 800 | 400 | 84.9 | 0.3 | 80 | 80 | 36.5 | BA1 |
| C41401505KBA1401-01 | 400 | 5.0 | 1000 | 400 | 79.6 | 0.2 | 80 | 80 | 36.5 | BA1 |

The above table / graphics are for reference only, subject to the actual product (unit: mm)

C41

Water Cooled Resonant Capacitor

Temperature Characteristics



C41

Water Cooled Resonant Capacitor

Temperature Characteristics

