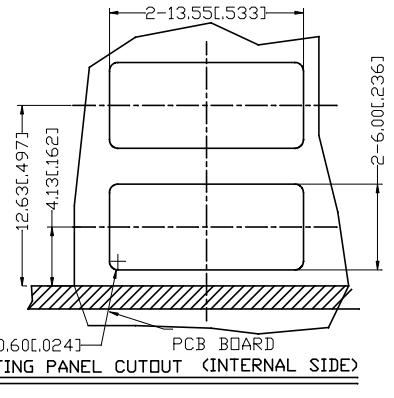
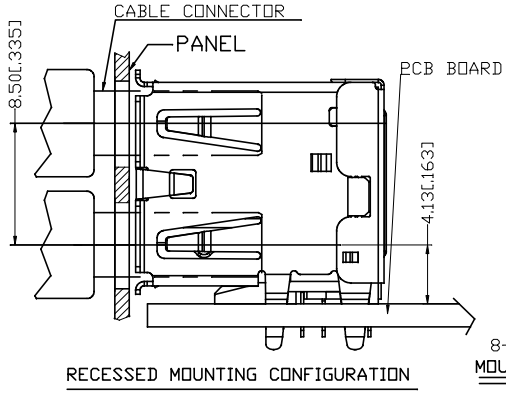
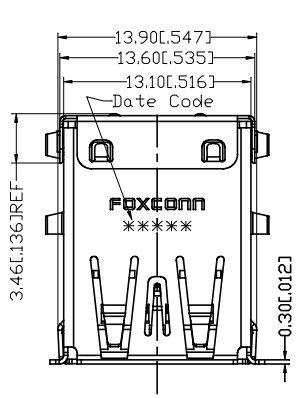


REV.	ECN. NO.	APPD.
A	BC-11-0117804	ADWARD ZHENG
B	BC-13-0087260	ADWARD ZHENG



PRODUCT NO.: UEA 1 1 2 1 - 8FS6 - 4 F

Series Prefix: UEA: USB 3.0 A TYPE

Termination Type: 1: Right Angle Type

Connector Type: 1: Female

No. of Contact Position: 1: 9 Pos.

Profile Height: 2: 413 mm

Lead Free Code: F: Lead Free

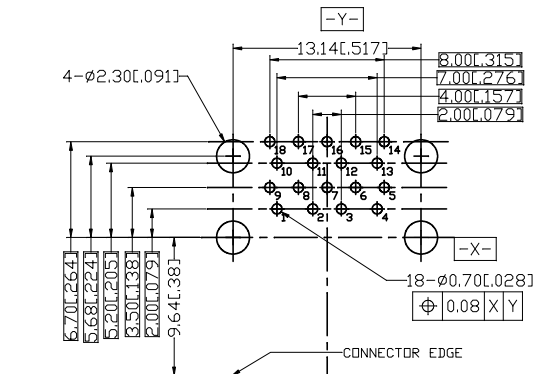
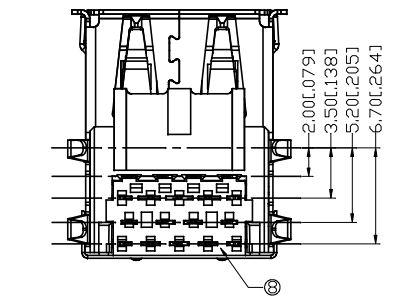
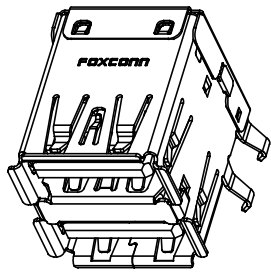
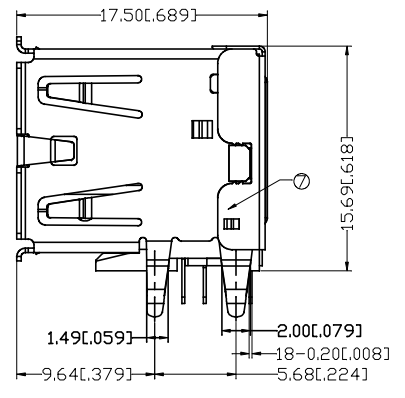
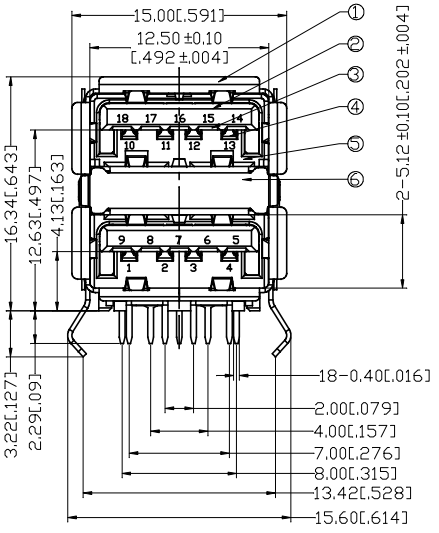
Package Code: 4: Soft Tray Package

Extension Code

Contact Area Plating: 1: Gold Flash

NOTES:

- ELECTRICAL CHARACTERISTICS :
 - CONTACT CURRENT RATING: 1.8 A FOR VBUS PIN AND ITS CORRESPONDING GND PIN. 0.25 A MIN FOR ALL OTHER CONTACTS.
 - CONTACT RESISTANCE: INITIAL 30 MILLIOHMS MAX FOR VBUS AND GND CONTACTS. INITIAL 50 MILLIOHMS MAX FOR ALL OTHER CONTACTS. AFTER DURABILITY 10 MILLIOHMS MAX CHANGE.
 - DIELECTRIC WITHSTANDING VOLTAGE : 100 VRMS AC MIN.
 - INSULATION RESISTANCE: 100 MEGOHMS MIN.
- MECHANICAL CHARACTERISTICS:
 - CONNECTOR MATING FORCE: 35N MAX.
 - CONNECTOR UNMATING FORCE: 10N MIN INITIAL, 8N MIN AFTER DURABILITY.
 - DURABILITY: 5000 CYCLES.
 - OPERATING TEMPERATURE: -55° C TO +85° C
- DIMENSIONS ARE IN MILLIMETERS, BRACKETED DIMENSIONS ARE INCHES EQUIVALENTS.
- RECOMMENED PROCESS: WAVE SOLDER 260° C,3~5SECONDS.
- THE CONNECTOR IS ROHS COMPLIANT.



RECOMMENDED P.C.B LAYOUT (COMPONENT SIDE)

T=1.6±0.05[0.063±0.02]mm, DEFAULT TOLERANCE: ±0.05[.002]

PIN ASSIGNMENT:

Pin No.	1	2	3	4	5	6	7	8	9
Pin No.	10	11	12	13	14	15	16	17	18
Signal Name	VBUS	D-	D+	GND	STDA_SSRX-	STDA_SSRX+	GND_DRAIN	STDA_SSTX-	STDA_SSTX+

Remark	USB2 Contact Pin	USB3 Contact Pin
8 SPACER	1 PA66	MOLDED COLOR:BLUE(PANTONE:300C)
7 REAR SHELL	1 STAINLESS STEEL	CLEAN
6 FINGER	1 STAINLESS STEEL	CLEAN
5 FRAME	1 PA66	MOLDED COLOR:BLUE(PANTONE:300C)
4 USB2 CONTACT	8 COPPER ALLOY	GOLD FLASH AT CONTACT AREA, LEAD FREE TIN ALLOY AT TERMINATION, NICKEL UNDERPLATING OVER ALL
3 USB3 CONTACT	10 COPPER ALLOY	UNDERPLATING OVER ALL
2 I/M	1 PBT	MOLDED COLOR:BLUE(PANTONE:300C)
1 FRONT SHELL	1 STAINLESS STEEL	LEAD FREE TIN ALLOY AT KINK OVER NICKEL PLATED.

X, ±	X*, ±	UNITS mm[Inch]	NAME(INTENDED USE)	FOXCONN® FOXCONN INTERCONNECT TECHNOLOGY LIMITED
.X ± 0.38[.010]	.X* ±	MAT'L	CUSTOMER	
.XX ± 0.25[.010]	.XX* ±	N/A	PART NO.(INTENDED USE)	CLASS: <input type="checkbox"/> CONFIDENTIAL <input type="checkbox"/> SECRET <input checked="" type="checkbox"/> GENERAL
.XXX ±	.XXX* ±	FINISH	UEA11121-8FS6-4F	TITLE: DOUBLE SHORT USB 3.0 A TYPE
		N/A	APPD: Dean Zhang 12/14/13	DWG NO: 327-0000-2625
		Q'TY	CHKD: Jesse Wang 12/14/13	
		N/A	DR: X.W Gong 12/14/13	

THESE DRAWINGS AND SPECIFICATIONS ARE THE PROPERTY OF FOXCONN INTERCONNECT TECHNOLOGY LIMITED, AND SHALL NOT BE REPRODUCED COPIED OR USED IN ANY MANNER WITHOUT THE PRIOR WRITTEN CONSENT OF FOXCONN INTERCONNECT TECHNOLOGY LIMITED.

SCALE	SHEET	REV.
N/A	1/1	B