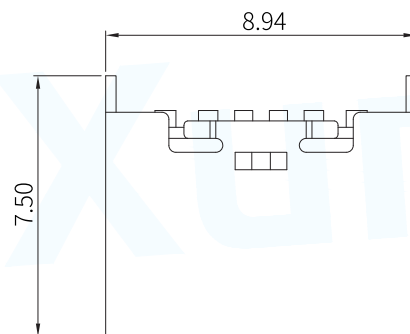
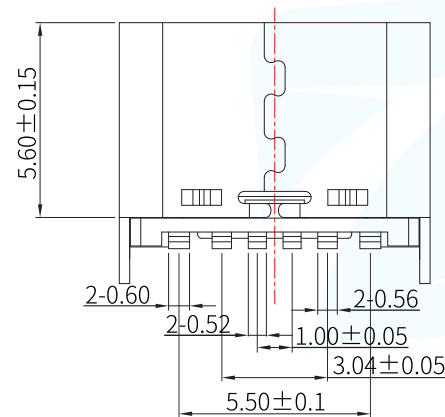


Part No	Material	Process
TYPEC-253-ARP6	不锈钢	3次 Molding
TYPEC-253-BRP6	不锈钢	1次 Molding

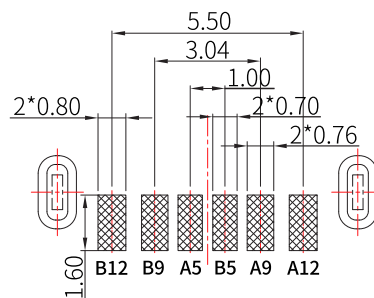
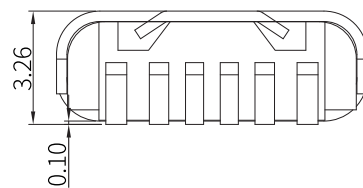


PIN#	NAME	PIN#	NAME
A5	CC1	B12	GND
A9	VBUS	B9	VBUS
A12	GND	B5	CC2

NOTES:

SPECIFICATION:

- 1.CURRENT PATING: 3.0A MAX
- 2.VOLTAGE: 100 VAC
- 3.TEMPERATURE RANGE: -30°C ~ 85°C
- 4.CONTACT RESISTANCE: 40 MILLIONHM MAX
- 5.INSULATION RESISTANCE: 100 MEGOHMS MIN
- 6.LNSERTION FORCE: 5N~20N
- 7.UNMATING FORCE: 8N~20N
- 8.DURABILITY: 10,000 CYCLES



RECOMMENDED P.C.B LAYOUT
TOLERANCE UNSPECIFIED ±0.05mm

MANUFACTURE DWG		 东莞市讯普电子科技有限公司 DongGuan XunPu Electronics Co.,Ltd			
UNLESS OTHERWISE SPECIFIED TOLERANCES			TITLE: USB C TYPE 6PIN 立贴长6.5		
			PAR	TYPEC-253-BCP6	
			DWN	KING	2014.06.16
			CHKD		
DECIMALS:	ANGLES:	SCALE 1:1		UNIT: mm	
X:±0.5	X:±2°				
X.X:±0.3	X.X:±1°				
X.XX:±0.2		CUSTOMER COPY		SIZE:A4 SHEET:1F1 REV:A	