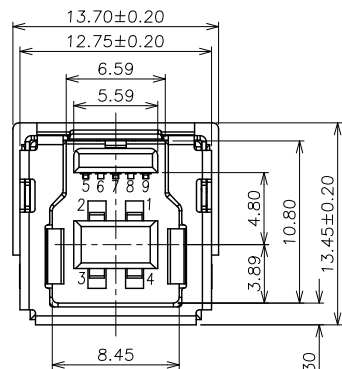
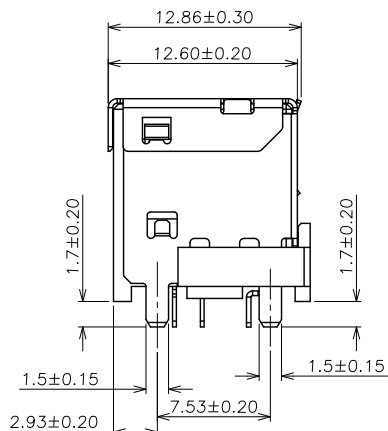
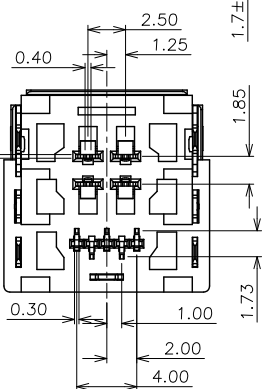
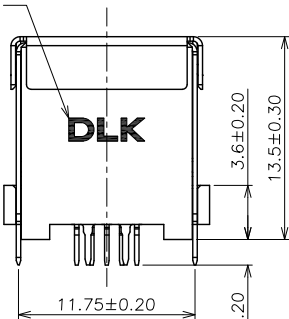


符合"DLK环境管理物质技术标准"

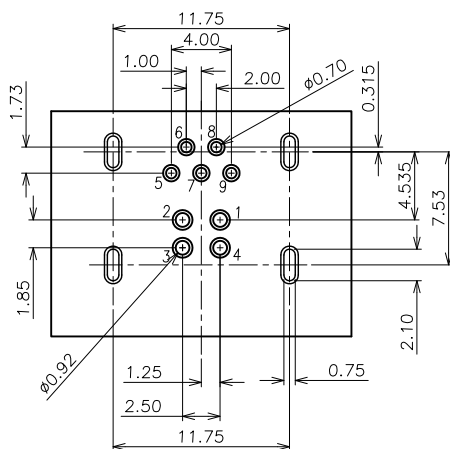
A 符合USB3.0协会规范标准"



DLK LOGO

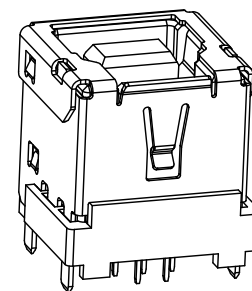


PCB LAYOUT



U3B23 C-09 \* M5 Y N2 2

- ① PRODUCTION CODE (产品编码):  
U3B23: USB 3.0 BF 180° 13.5H
- ② CHARACTER (特征):  
C:DIP TYPE
- ③ POSITION (位数):  
09: 09PIN
- ④ COLOR OF HOUSING(本体颜色):  
L:BLUE  
B:BLACK
- ⑤ PLATING OF CONTACT(端子电镀):  
M5:接触区Au 0.05μm 焊接区Sn2.5μm min
- ⑥ PACKAGE(包装):  
Y :TRAY PACKAGE
- ⑦ PLATING OF SHELL(铁壳电镀):  
N2 :Ni plated



GENERAL TOLERANCE  
UNLESS OTHERWISE NOTED

Angle	±5°
.X	±0.38
.X	±0.25
.XX	±0.20
.XXX	±0.10

**DLK** 德力康电子科技有限公司  
DELIKANG ELECTRONICS TECHNOLOGY CO.,LTD

C 名称	USB 3.0 BF 180° 13.5H DIP			
档案名称	C-U3B23-00-02	料号	U3B23C-09BM5YN22	
FILE NAME:		PART NO:		
DRAWING	王永辉	CHECKED	——	APPROVED 严成旺
UNIT:	mm	SCALE	1:1	SHEET: 1 of 1

3	CONTACT	9	C2680/C5191	Au PLATED
2	SHELL	1	SUS430	Ni PLATED
1	HOUSING	1	PA9T	UL94V-0
NO.	ITEM	Q'TY	DESCRIPTION	FINISH

A4