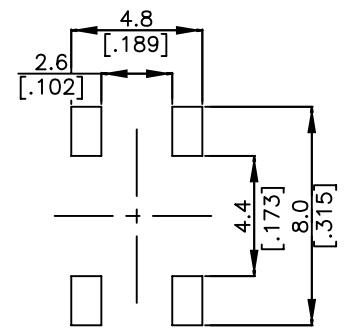
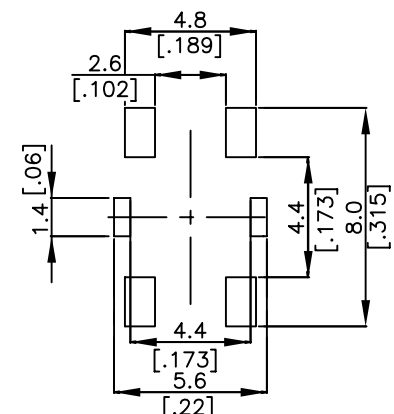
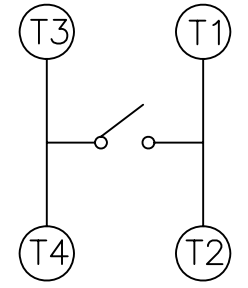
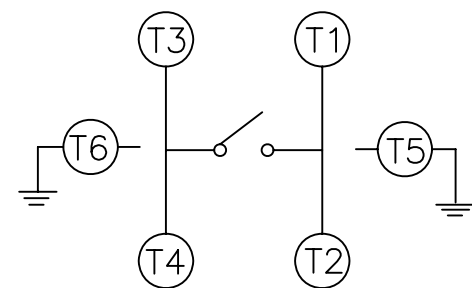


TMG-53*



NOTE:
 1. ALL DIMENSIONS ARE IN MILLIMETERS. BRACKETED DIMENSIONS ARE IN INCHES.
 2. GENERAL TOLERANCES ± 0.20 [$.008$] mm.

Table 1

PART NO	OF
TMG-531-V	70gf
TMG-532-V	100gf
TMG-533-V	160gf
TMG-534-V	260gf

APPD:	Q' TY:	圓達實業股份有限公司 DIPTRONICS MANUFACTURING INC.	PART NAME:
CHKD:	SCALE: 15:1		TMG-53*-V
DR:	REV: C	UNIT: mm	DWG NO:
DESIGN:	陳清梅	PART NO:	R D 5 P 5 G - V
		FINISH:	

ZONE	REV.	DESCRIPTION	DATE	APPD.
	C	新增70gf產品	09.06.03	邱明義
	B	新增100gf產品	07.07.05	邱明義
	A	DWG. REL	02.22.05	邱明義