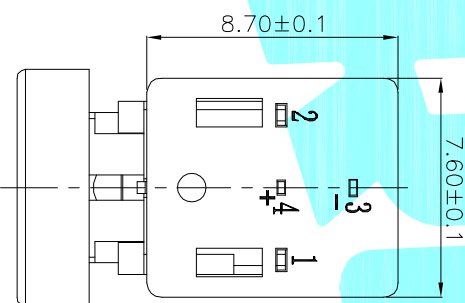
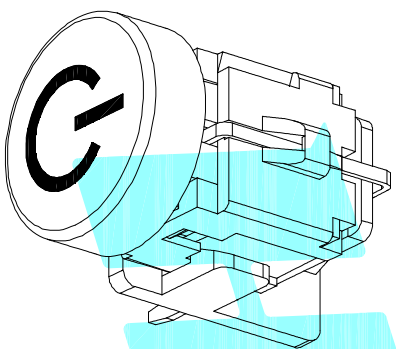


PCB Layout (pattern Side)

Circuit Diagram



- Typical Specifications
1. Rating : DC 30V 0.3A
 2. Operating Force : 250 ± 50 gf
 3. Contact Resistance : 100mΩMAX
 4. Life : 100,000 Cycles Min

②	Terminal	4	Phosphor bronze	Au Plating		
①	Housing	1	Nylon	Black		
ITEM	PART NAME	TER.NO.	QTY.	MATERIAL	FINISHING	REMARK
APPROVALS						
DRAWN		DATE		TITLE:		
J.X.Zhang		2018/08/01		LED Tact Switch		
CHECKED				ELECTRONICS CO.,LTD		
APPROVALS				PART NO. K6-6277D		
TOLERANCES ARE				SCALE: 1:1		
30~0.1		±0.30		ANGLE		PROJ:
10~30		±0.20		UNIT: mm		SHEET 1 OF 1
5~10		±0.15		DRAWING NO.		
~5		±0.10		DRAWING NO.		
ECN NO.	REV.	DATE.	DESCRIPTION.	CHANGE.	CHECK.	APPRO.
	A		NEW			