

APPROVAL SHEET

Approval Specification	Customer's Approval Certificate
TO:	Checked & Approved by:
Part No.:	Date:
Customer's Part No.:	Please return this copy as a certification of your approval

Shenzhen Huayuan Micro Electronic Technology Co.Ltd.

Tel: +86-0755-29881155-8006

Fax: +86-0755-29881157

E-mail: sfsaw_sales@163.com

QQ: 3037058772

Website: <http://www.sfsaw.com> <http://www.szhywd.net>

Add: No.5 Zhuangcun Road, Xiner Community,
Shajing Street, Baoan District, Shenzhen



Part No.	:	SFR318D
Pages	:	4
Date	:	2016/8/1
Revision	:	2.0

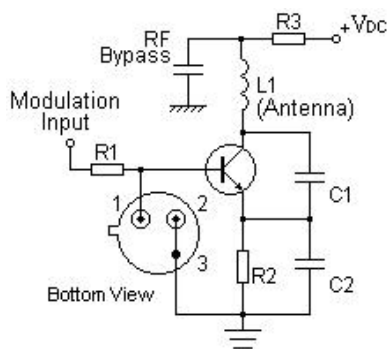
Features

- 1-port Resonator
- Metal Case for TO-39
- RoHS compatible
- Package Code TO-39
- Electrostatic Sensitive Device(ESD)

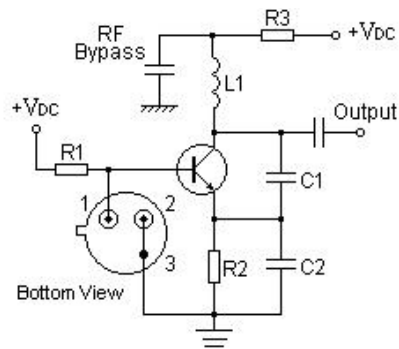


Application

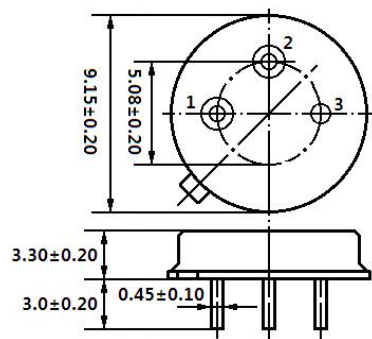
Typical Low-Power Transmitter Application



Typical Local Oscillator Application



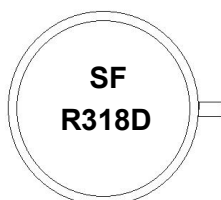
Package Dimensions (TO-39)



Pin Configuration

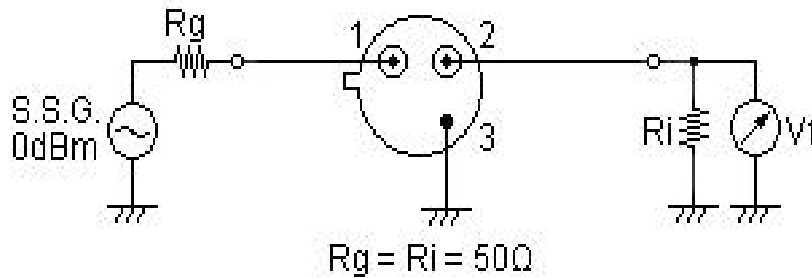
1	Input/ Output
2	Output/ Input
3	Case Ground

Marking

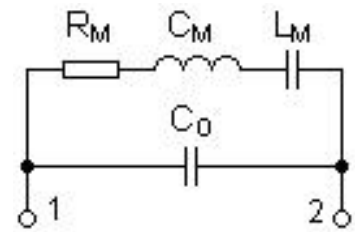


SF	Trademark
R	SAW Resonator
318D	Part number

Test Circuit



Equivalent LC Model



Performance

Maximum Rating

Item		Value	Unit
DC Voltage	V_{DC}	± 30	V
Operation Temperature	T	-40 ~ +85	$^{\circ}C$
Storage Temperature	T_{stg}	-40 ~ +85	$^{\circ}C$
RF Power Dissipation	P	25	dBm

Electronic Characteristics

Test Temperature: $25^{\circ}C \pm 2^{\circ}C$

Terminating source impedance: 50Ω

Terminating load impedance: 50Ω

Item		Minimum	Typical	Maximum	Unit
Center Frequency	Absolute Frequency	f_c	318.000		MHz
	Tolerance from 318.00MHz	Δf_c	± 75		KHz
Insertion Loss(min)		IL	1.4	2.0	dB
Quality Factor	Unloaded Q	Q_U	16283		
	50Ω Loaded Q	Q_L	2187		
Frequency Aging	Absolute Value during the First Year	$ f_A $	≤ 10		ppm/yr
DC Insulation Resistance between Any Two Pins			1.0		M Ω
RF Equivalent RLC Model	Motional Resistance	R_M	13	22	Ω
	Motional Inductance	L_M	126.87		μH
	Motional Capacitance	C_M	2.03		fF
	Static Capacitance	C_0	2.1	2.4	2.7

