

Material :

- \* Base: High temperature plastic UL 94V-0, Color Nature
- \* Cover: High temperature plastic UL 94V-0, Color Black
- \* Contact: Phosphor Bronze
- △ \* Fixed tab: Brass with Matte Tin Plated over Nickel

Ordering Code

CF31 \*\* 1 D 0 \* \* -05 -NH  
 ① ② ③ ④ ⑤ ⑥ ⑦ ⑧ ⑨

- ① Series No.
- ② No. of Circuits:
- ③ Plating code: 1= 2.50um(100u") Min. Matte Tin plated over 1.27um(50u") Min. Nickel  
 2= Gold flash over 1.27um(50u") Min. Nickel
- ④ Contact style: D= Downside contact
- ⑤ 0= Color Nature
- ⑥ Packing: R= Tape & Reel, T= Tube Packing
- ⑦ Option: 0= Without Mylar, E=3.20mm , F=1.40  
 1= With Mylar, E=3.20mm , F=1.40  
 2= Without Mylar, E=2.85mm , F=1.50  
 3= With Mylar, E=2.85mm , F=1.50
- ⑧ -05= 0.5 Pitch
- ⑨ -NH= For Lead Free IR Processed and Halogen Free

CVILUX CORP  
 2014.06.19  
 ISSUED

COVER OPEN STATE

Halogen-Free

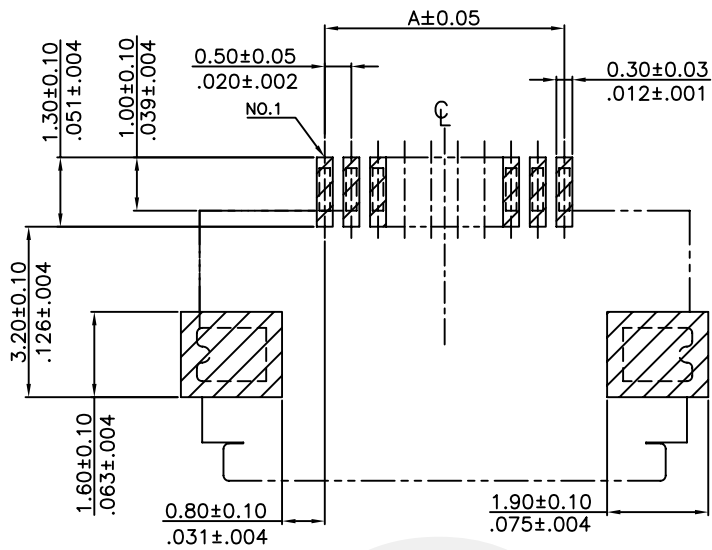
Lead Free Process

RoHS compliant

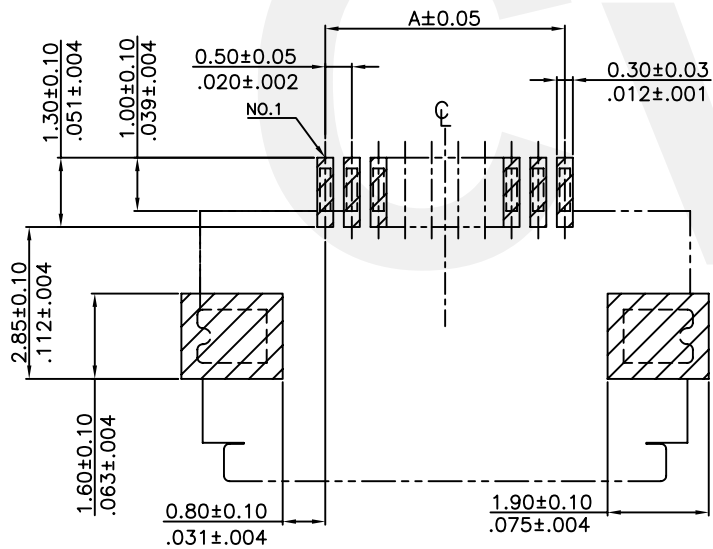
⑤	Claire	6/16-14'	ECRT214014/ECNT214025		DATE	UNIT: mm / inch	TITLE: 0.50mm(.020") ZIF FFC/FPC ONE-TOUCH CONNECTOR	MATERIAL:	FINISH:	DRAWING NO. CF3101SF	PART NO. CF31***D0**-05-NH	SCALE 10 / 1	SHEET 1 OF 3
④	Claire	7/6-12'	ECR12043-5/ECN12037-5/ECR12048-5	DRAWN BY: Claire	6/16-14"	TOLERANCE UNLESS OTHERWISE SPECIFIED							
③	Claire	4/10-12'	ECR12018-5	ENGINEER: Francis	6/16-14"	.X ± 0.20/.008	X" ±						
②	Claire	3/21-12'	ECN12038-0/ECR12010-0	CHECKED BY: Jerry	6/16-14"	.XX ± 0.15/.006	.X" ± 1"						
SYM	NAME	DATE	REVISIONS	APPROVED BY: Scott	6/16-14"	.XXX ±	.XX" ±						



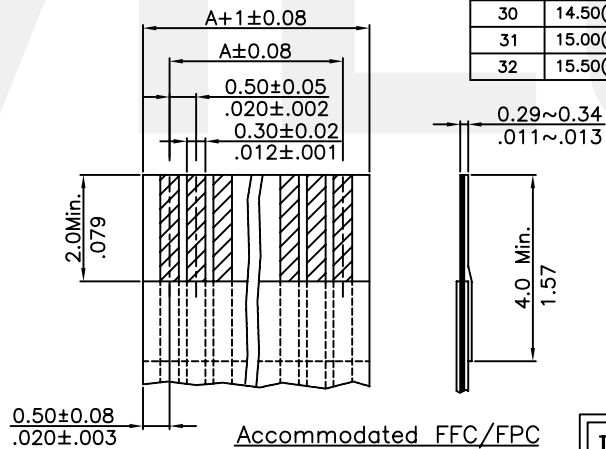
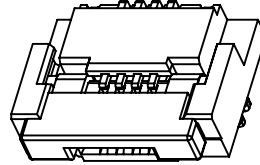
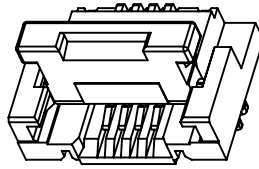
瀚荃股份有限公司  
 CviLux Corporation



CF31\*\*\*D0\*0-NH & CF31\*\*\*D0\*1-NH  
Recommended P.C. Board Layout



CF31\*\*\*D0\*2-NH & CF31\*\*\*D0\*3-NH  
Recommended P.C. Board Layout




Accommodated FFC/FPC

Circuits	Dimension			Circuits	Dimension		
	A	B	C		A	B	C
4	1.50(.059)	6.20(.244)	2.60(.102)	33	16.00(.630)	20.70(.815)	17.10(.673)
5	2.00(.079)	6.70(.264)	3.10(.122)	34	16.50(.650)	21.20(.835)	17.60(.693)
6	2.50(.098)	7.20(.283)	3.60(.142)	35	17.00(.669)	21.70(.854)	18.10(.713)
7	3.00(.118)	7.70(.303)	4.10(.161)	36	17.50(.689)	22.20(.874)	18.60(.732)
8	3.50(.138)	8.20(.323)	4.60(.181)	37	18.00(.709)	22.70(.894)	19.10(.752)
9	4.00(.157)	8.70(.343)	5.10(.201)	38	18.50(.728)	23.20(.913)	19.60(.772)
10	4.50(.177)	9.20(.362)	5.60(.220)	39	19.00(.748)	23.70(.933)	20.10(.791)
11	5.00(.197)	9.70(.382)	6.10(.240)	40	19.50(.768)	24.20(.953)	20.60(.811)
12	5.50(.216)	10.20(.402)	6.60(.260)	41	20.00(.787)	24.70(.972)	21.10(.831)
13	6.00(.236)	10.70(.421)	7.10(.280)	42	20.50(.807)	25.20(.992)	21.60(.850)
14	6.50(.256)	11.20(.441)	7.60(.299)	43	21.00(.827)	25.70(1.012)	22.10(.870)
15	7.00(.276)	11.70(.461)	8.10(.319)	44	21.50(.846)	26.20(1.031)	22.60(.890)
16	7.50(.295)	12.20(.480)	8.60(.339)	45	22.00(.866)	26.70(1.051)	23.10(.909)
17	8.00(.315)	12.70(.500)	9.10(.358)	46	22.50(.886)	27.20(1.071)	23.60(.929)
18	8.50(.335)	13.20(.520)	9.60(.378)	47	23.00(.906)	27.70(1.091)	24.10(.949)
19	9.00(.354)	13.70(.539)	10.10(.398)	48	23.50(.925)	28.20(1.110)	24.60(.969)
20	9.50(.374)	14.20(.559)	10.60(.417)	49	24.00(.945)	28.70(1.130)	25.10(.988)
21	10.00(.394)	14.70(.579)	11.10(.437)	50	24.50(.965)	29.20(1.150)	25.60(1.008)
22	10.50(.413)	15.20(.598)	11.60(.457)	51	25.00(.984)	29.70(1.169)	26.10(1.028)
23	11.00(.433)	15.70(.618)	12.10(.476)	52	25.50(1.004)	30.20(1.189)	26.60(1.047)
24	11.50(.453)	16.20(.638)	12.60(.496)	53	26.00(1.024)	30.70(1.209)	27.10(1.067)
25	12.00(.472)	16.70(.657)	13.10(.516)	54	26.50(1.043)	31.20(1.228)	27.60(1.087)
26	12.50(.492)	17.20(.677)	13.60(.535)	55	27.00(1.063)	31.70(1.248)	28.10(1.106)
27	13.00(.512)	17.70(.697)	14.10(.555)	56	27.50(1.083)	32.20(1.268)	28.60(1.126)
28	13.50(.531)	18.20(.717)	14.60(.575)	57	28.00(1.102)	32.70(1.287)	29.10(1.146)
29	14.00(.551)	18.70(.736)	15.10(.594)	58	28.50(1.122)	33.20(1.307)	29.60(1.165)
30	14.50(.571)	19.20(.756)	15.60(.614)	59	29.00(1.142)	33.70(1.327)	30.10(1.185)
31	15.00(.591)	19.70(.776)	16.10(.634)	60	29.50(1.161)	34.20(1.346)	30.60(1.205)
32	15.50(.610)	20.20(.795)	16.60(.654)	61	30.00(1.182)	34.70(1.367)	31.10(1.225)

Halogen-Free

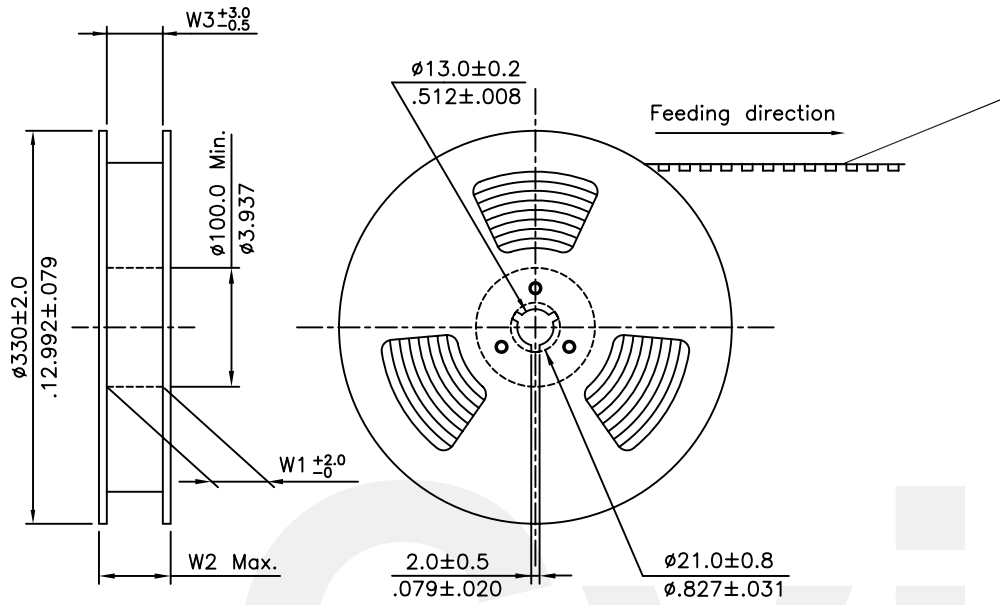
Lead Free Process

RoHS compliant

5	Claire	6/16-14'	ECRT214014/ECNT214025		DATE	UNIT: mm / inch	TITLE: 0.50mm(.020") ZIF FFC/FPC ONE-TOUCH CONNECTOR	 瀚荃股份有限公司 CviLux Corporation
4	Claire	7/6-12'	ECR12043-5/ECN12037-5/ECR12048-5	DRAWN BY: Claire	6/16-14"	TOLERANCE UNLESS OTHERWISE SPECIFIED		
3	Claire	4/10-12'	ECR12018-5	ENGINEER: Francis	6/16-14"	.X ± 0.20/.008 X.* ±		
2	Claire	3/21-12'	ECN12038-0/ECR12010-0	CHECKED BY: Jerry	6/16-14"	.XX ± 0.15/.006 X.* ± 1'		
SYM	NAME	DATE	REVISIONS	APPROVED BY: Scott	6/16-14"	.XXX ± .XX ±		

**CIVILUX CORP**  
**2014.06.19**  
**ISSUED**

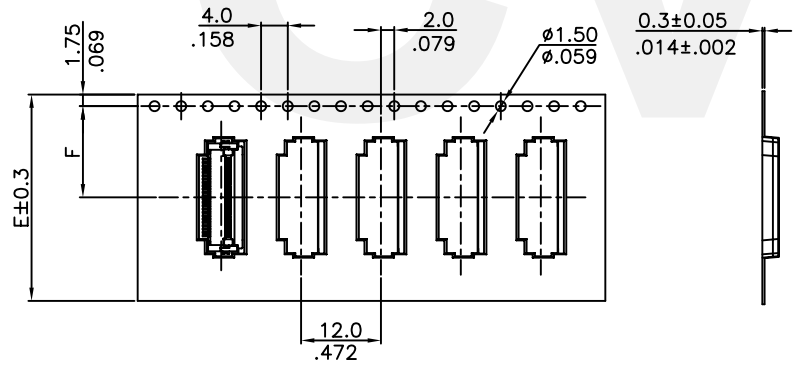
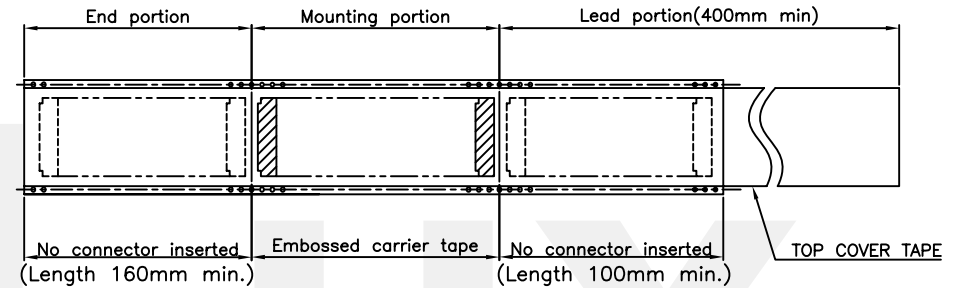
DRAWING NO.	CF3101SF	PART NO.	CF31***D0**-05-NH
SCALE	10 / 1	SHEET	2 OF 3



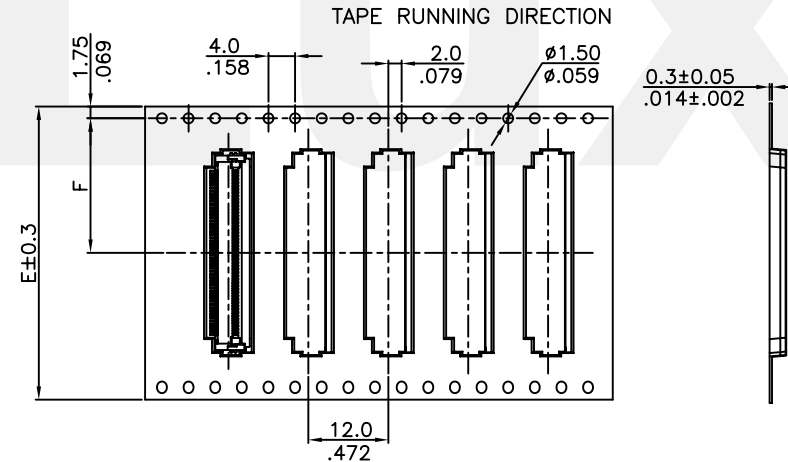
Notes:

1. 10 sprocket hole pitch cumulative tolerance  $\pm 0.2$
2. Camber not to exceed 1mm in 100mm.
3. Material: Advantek Polystyrene.
4. Pocket position relative to sprocket hole measured as true position of pocket, not pocket hole.
5. All dimensions meet EIA-481-B requirements.
6. Quantity: 2000 PCS/REEL

Circuits	Dimension					Packing (Reel/Caton)
	E	F	W1	W2	W3	
4-8	16.0(.630)	7.50(.295)	16.5(.650)	22.5(.885)	16.5(.650)	11
9-24	24.0(.945)	11.50(.453)	24.5(.965)	30.5(1.200)	24.5(.965)	9
25-32	32.0(1.260)	14.20(.559)	32.5(1.280)	38.5(1.516)	32.5(1.280)	7
33-56	44.0(1.732)	20.20(.795)	44.5(1.752)	50.5(1.988)	44.5(1.752)	5
57-61	56.0(2.205)	26.2(1.031)	56.5(2.224)	62.5(2.460)	56.5(2.224)	4




WIDTH : 16, 24 mm Carrier  
(SCALE 1:8)



WIDTH : 32, 44, 56 mm Carrier  
(SCALE 1:8)

RoHS Compliant

5	Claire	6/16-14'	ECRT214014/ECNT214025		DATE	UNIT: mm / inch	TITLE: 0.50mm(.020") ZIF FFC/FPC ONE-TOUCH CONNECTOR	 瀚荃股份有限公司 CviLux Corporation
4	Claire	7/6-12'	ECR12043-5/ECN12037-5/ECR12048-5	DRAWN BY: Claire	6/16-14"	TOLERANCE UNLESS OTHERWISE SPECIFIED		
3	Claire	4/10-12'	ECR12018-5	ENGINEER: Francis	6/16-14"	.X $\pm 0.15/.006$ X.* $\pm$	MATERIAL:	DRAWING NO. CF3101SF PART NO. CF31***D0**-05-NH
2	Claire	3/21-12'	ECN12038-0/ECR12010-0	CHECKED BY: Jerry	6/16-14"	.XX $\pm 0.10/.004$ X.* $\pm 1'$	FINISH:	
SYM	NAME	DATE	REVISIONS	APPROVED BY: Scott	6/16-14"	.XXX $\pm$ .XX $\pm$		

CVILUX CORP  
2014.06.19  
ISSUED