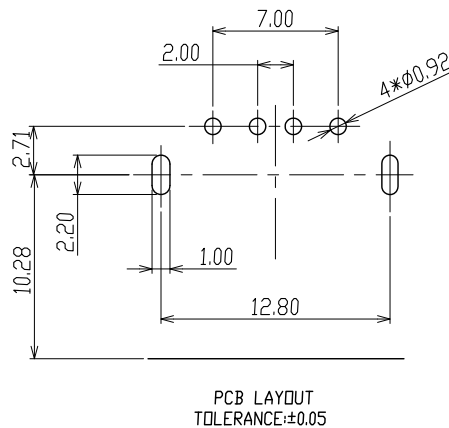
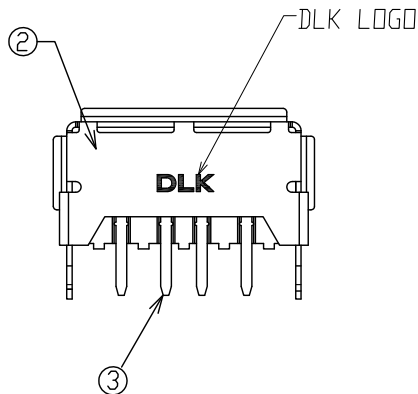
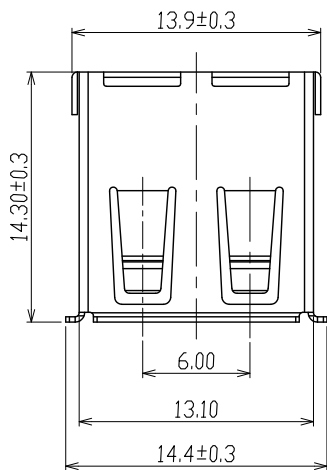


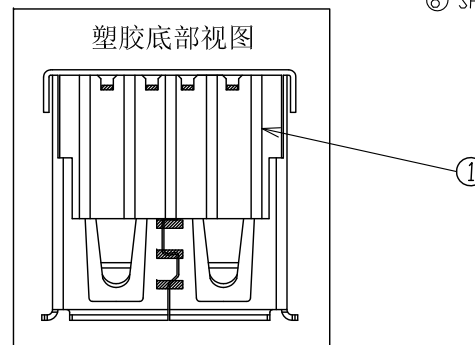
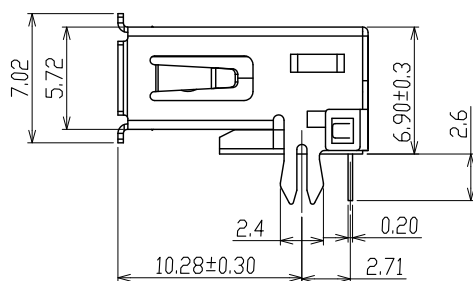
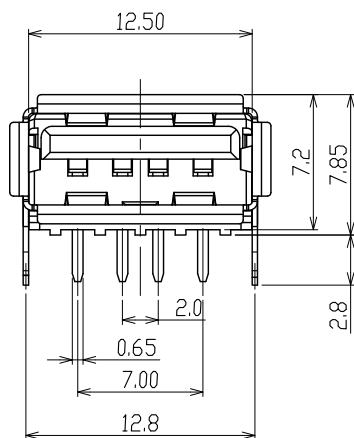
符合"DLK环境管理物质技术标准"

工程变更通知单 ECN(DCN) NO.	版本 REV	日期 DATE	说明 DESCRIPTION	变更 CHANGE	核准 APPRO.
KSECN16006	A	20160302	NEW	—	—



USA2A D-04 B S1 Y N1 0
① ② ③ ④ ⑤ ⑥ ⑦ ⑧

- ① PRODUCTION CODE (产品编码):
USA2A: USB A TYPE CONN.
- ② CHARACTER (特征):
D:DIP TYPE
- ③ POSITION (位数):
04: 4PIN
- ④ COLOR OF HOUSING(本体颜色):
B:Black
- ⑤ PLATING OF CONTACT(端子电镀):
S1 :Au 1u" and Sn 100u" plated over Ni 50u"
- ⑥ PACKAGE (包装):
Y :TRAY PACKAGE
- ⑦ PLATING OF SHELL (铁壳电镀):
N1 :Ni plated
- ⑧ SHELL DESCRIPTION (外壳材质):
0 :SPCC R-H



GENERAL TOLERANCE
UNLESS OTHERWISE NOTED

Angle	±5°
X.	±0.30
.X	±0.25
.XX	±0.15
.XXX	±0.10

DLK 德力康电子科技有限公司
DLK DELIKANG ELECTRONICS TECHNOLOGY CO.,LTD

C 名称 TITLE:	USB A TYPE CONN.			
档案名称 FILE NAME:	C-USA2A-00-00	料号 PART NO.:	USA2AD-04BS1YN10	
DRAWING	王永辉	CHECKED	—	APPROVED 严成旺
UNIT:	mm	SCALE	1:1	SHEET: 1 of 1

3	CONTACT	4	BRASS	Au PLATED
2	SHELL	1	SPCC	Ni PLATED
1	HOUSING	1	PBT	UL94V-0

NO.	ITEM	Q'TY	DESCRIPTION	FINISH
1	2	3	4	5
1	2	3	4	5