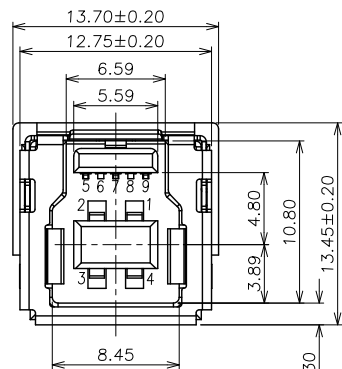
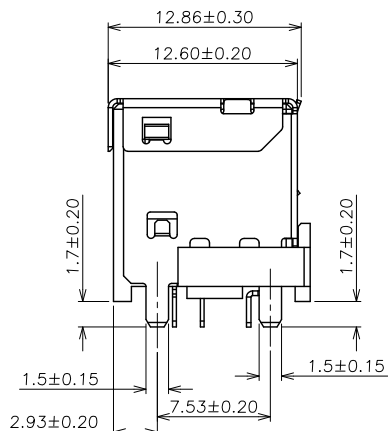
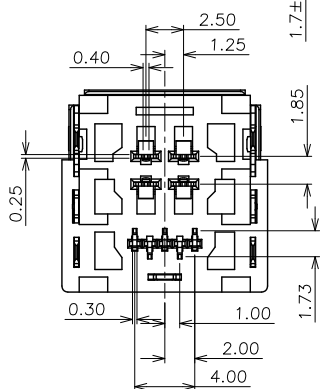
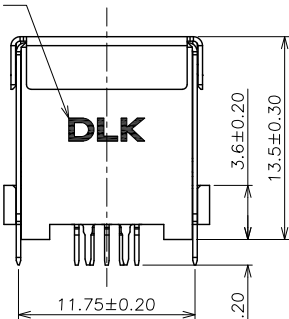


符合"DLK环境管理物质技术标准"

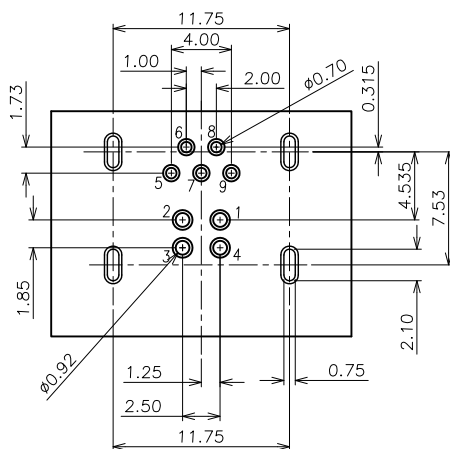
A 符合USB3.0协会规范标准"



DLK LOGO

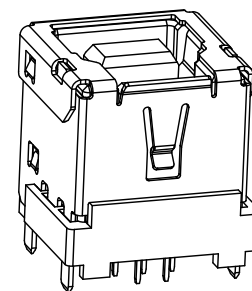


PCB LAYOUT



U3B23 C-09 * M5 Y N2 2

- ① PRODUCTION CODE (产品编码): U3B23: USB 3.0 BF 180° 13.5H
- ② CHARACTER (特征): C:DIP TYPE
- ③ POSITION (位数): 09: 09PIN
- ④ COLOR OF HOUSING(本体颜色): L:BLUE B:BLACK
- ⑤ PLATING OF CONTACT(端子电镀): M5:接触区Au 0.05μm 焊接区Sn2.5μm min
- ⑥ PACKAGE(包装): Y :TRAY PACKAGE
- ⑦ PLATING OF SHELL(铁壳电镀): N2 :Ni plated



工程变更通知单 ECN(DCN) NO.	版本 REV	日期 DATE	说明 DESCRIPTION	变更 CHANGE	核准 APPRO.
KSECN18002	A	20180206	NEW RELEASE	—	—
KSECN19008	B	20190320	新增黑色产品料号: U3B23C-09BM5YN22	覃智森	王永辉

GENERAL TOLERANCE
UNLESS OTHERWISE NOTED

Angle	±5°
X.	±0.38
.X	±0.25
.XX	±0.20
.XXX	±0.10

DLK 德力康电子科技有限公司
DLK DELIKANG ELECTRONICS TECHNOLOGY CO.,LTD

C 名称 TITLE:	USB 3.0 BF 180° 13.5H DIP			
档案名称 FILE NAME:	C-U3B23-00-02	料号 PART NO:	U3B23C-09BM5YN22	
DRAWING	王永辉	CHECKED	—	APPROVED 严成旺
UNIT:	mm	SCALE	1:1	SHEET: 1 of 1

3	CONTACT	9	C2680/C5191	Au PLATED
2	SHELL	1	SUS430	Ni PLATED
1	HOUSING	1	PA9T	UL94V-0
NO.	ITEM	Q'TY	DESCRIPTION	FINISH

1 2 3 4 5 6 7 8 9 10 11