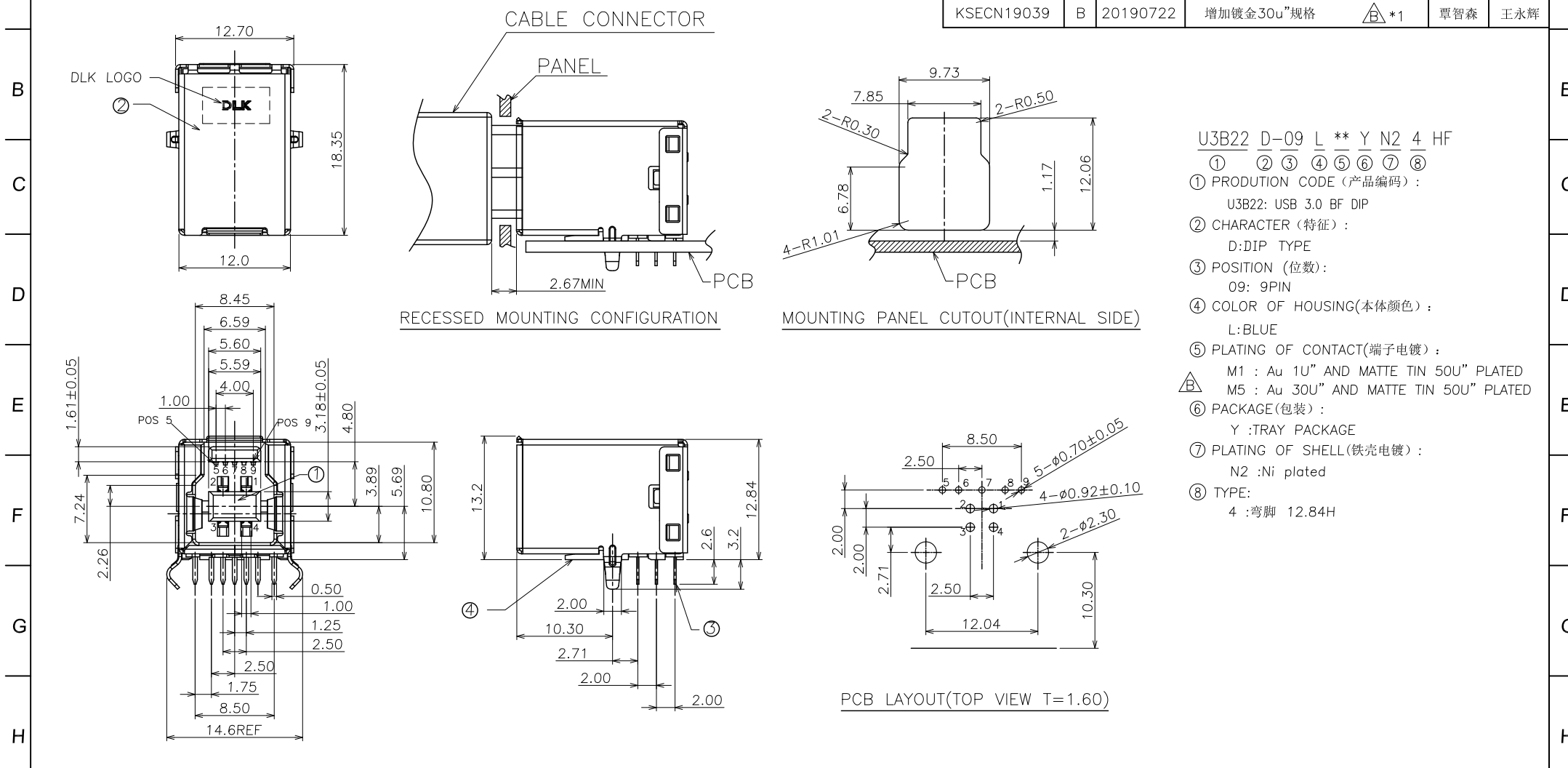


符合"DLK环境管理物质技术标准"
符合USB3.0协会规范标准"

工程变更通知单 ECN(DCN) NO.	版本 REV	日期 DATE	说明 DESCRIPTION	变更 CHANGE	核准 APPRO.
KSECN18058	A	20181109	NEW RELEASE	—	—
KSECN19039	B	20190722	增加镀金30u"规格 $\triangle B$ *1	覃智森	王永辉



U3B22 D-09 L ** Y N2 4 HF
 ① PRODUCTION CODE (产品编码):
 U3B22: USB 3.0 BF DIP
 ② CHARACTER (特征):
 D:DIP TYPE
 ③ POSITION (位数):
 09: 9PIN
 ④ COLOR OF HOUSING(本体颜色):
 L:BLUE
 ⑤ PLATING OF CONTACT(端子电镀):
 M1 : Au 1U" AND MATTE TIN 50U" PLATED
 M5 : Au 30U" AND MATTE TIN 50U" PLATED
 ⑥ PACKAGE(包装):
 Y :TRAY PACKAGE
 ⑦ PLATING OF SHELL(铁壳电镀):
 N2 :Ni plated
 ⑧ TYPE:
 4 :弯脚 12.84H

产品净重: 4.72g

NO.	ITEM	Q'TY	DESCRIPTION	FINISH
4	COVER	1	PA9T	UL94V-0 无卤
3	CONTACT	9	C2680/C5191	Au PLATED
2	SHELL	1	SPCC	Ni PLATED
1	HOUSING	1	PA9T	UL94V-0 无卤

GENERAL TOLERANCE UNLESS OTHERWISE NOTED	
Angle	±2'
X.	±0.38
.X	±0.30
.XX	±0.25
.XXX	±0.15

DLK 德力康电子科技有限公司
 DLK DELIKANG ELECTRONICS TECHNOLOGY CO.,LTD

C 名称: USB 3.0 BF 90° DIP
 档案名称: C-U3B22-04-HF
 FILE NAME: C-U3B22-04-HF
 料号: U3B22D-09LM1YN24HF
 PART NO: U3B22D-09LM1YN24HF

DRAWING: 覃智森
 CHECKED: —
 APPROVED: 严成旺

UNIT: mm
 SCALE: 1:1
 SHEET: 1 of 1