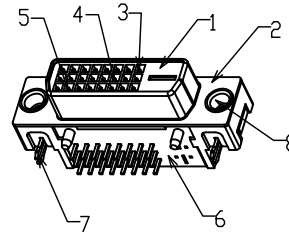
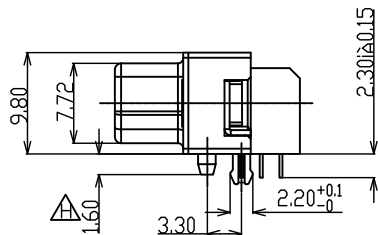
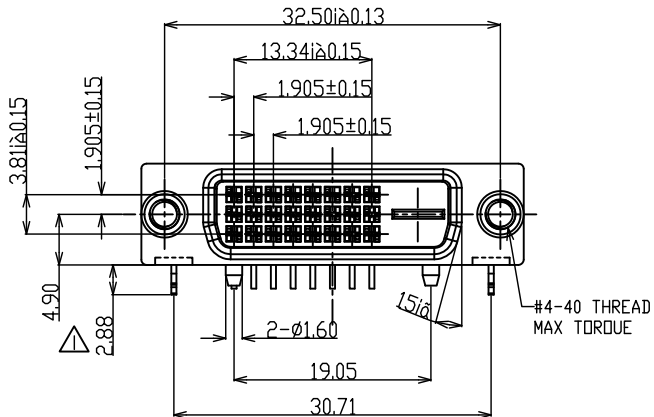
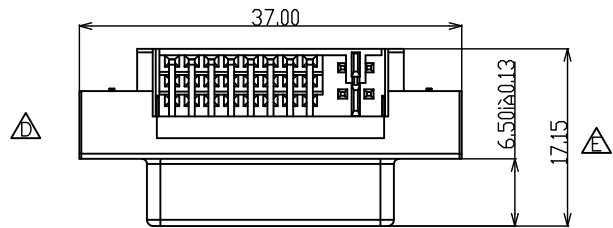


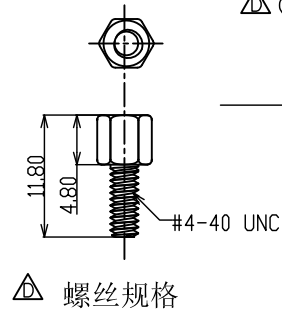
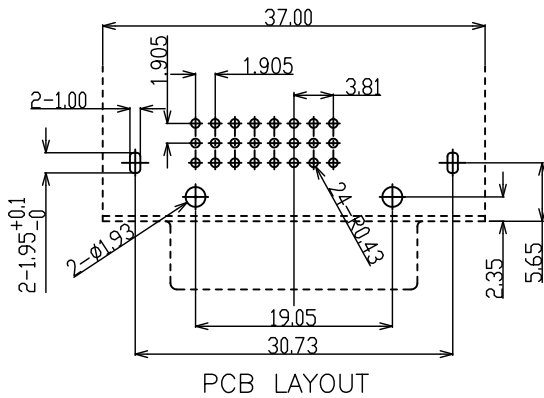
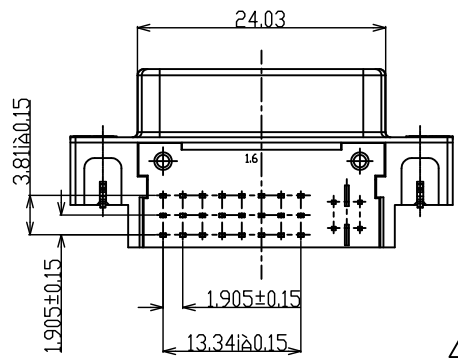
符合"DLK环境管理物质技术标准"

工程变更通知单 ECN(DCN) NO.	版本 REV	日期 DATE	说明 DESCRIPTION	改变 CHANGE	承认 APPRO.
ECN07186	D	07/21/07'	△ x 4	曾小春	严成旺
ECN07065	E	08/14/07'	△ x 1	曾小春	严成旺
ECN08198	F	10/28/08'	△ x 1	曾小春	严成旺
ECN09115	G	09/22/09'	△ x 1	曾小春	严成旺
ECN09129	H	01/04/10'	△ x 2	曾小春	严成旺
ECN11132	I	09/29/11'	△ x 1	王永辉	严钊



DVI24 D-24 H S1 Y N4 X
① ② ③ ④ ⑤ ⑥ ⑦ ⑧

- ① PRODUCTION CODE (产品编码):
DVI24; DVI SERIES
 - ② CHARACTER (特征):
D:DIP TYPE
 - ③ POSITION (位数):
24:24PIN
 - ④ COLOR OF HOUSING(本体颜色):
H:GRAY
 - ⑤ PLATING OF CONTACT(端子电镀):
S1 :Au AND TIN PLATD
 - ⑥ PACKAGE(包装):
R :TRAY PACKAGE
 - ⑦ PLATING OF SHELL (铁壳电镀):
N4:NI PLATD
 - △ ⑧ TYPE:
0:无螺丝
2:锁螺丝
3:附螺丝
H:无齿
- △ 1.螺丝扭力为4.0%P1.0KGF;
2.所附螺丝数量为包装数量*2,并在此基础上增加1%的螺丝数量,用塑料包装并贴上标签。
3.螺丝料号为:2G6008-1.



△ 螺丝规格

8	NUT	2	BRASS	Ni PLATED
7	BOARD LUCK	2	BRASS	Tin PLATED
6	COVER	1	PA66	UL94V-0,WHITE
5	SHORT CONTACT	8	PHOSPHOR BRONZE/BRASS	Au PLATED
4	MIDDLE CONTACT	8	PHOSPHOR BRONZE/BRASS	Au PLATED
3	LONG CONTACT	8	PHOSPHOR BRONZE/BRASS	Au PLATED
2	SHELL	1	SPCC	Ni PLATED
1	HOUSING	1	PA66	UL94V-0,GRAY
NO.	ITEM	Q'TY	DESCRIPTION	FINISH

GENERAL TOLERANCE UNLESS OTHERWISE NOTED	
Angle	±5°
X.	±0.30
.X	±0.25
.XX	±0.15
.XXX	±0.10

德力康电子科技有限公司

DELIKANG ELECTRONICS TECHNOLOGY CO.,LTD

C 名称 TITLE:	DVI RECEPTACLE CONN.	料号 PART NO.:	DVI24D-24HS1YN4H
档案名称 FILE NAME.	C-DVI24-00-00	PART NO. (OLD)	—
DRAWING	曾小春	CHECKED	APPROVED 严成旺
UNIT:	mm	SCALE	1:1
		SHEET: 1 of 2	