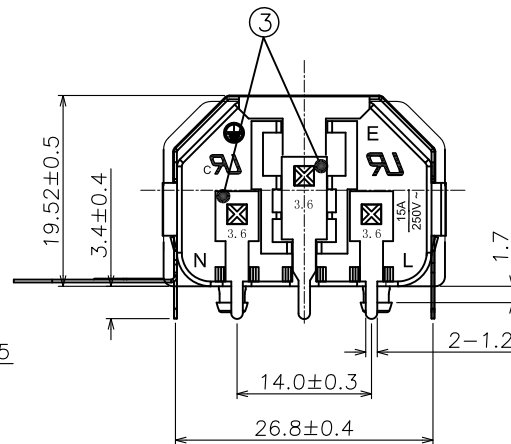
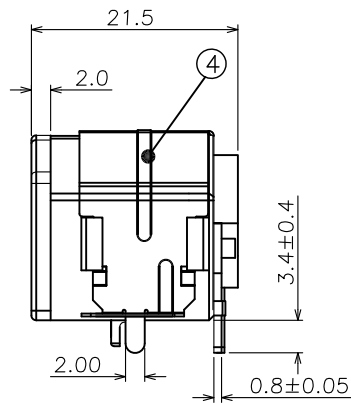
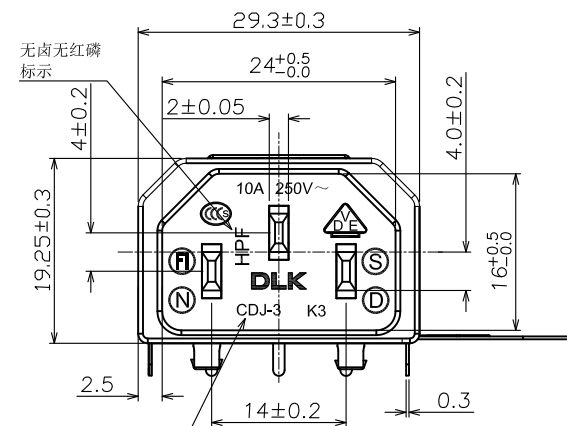
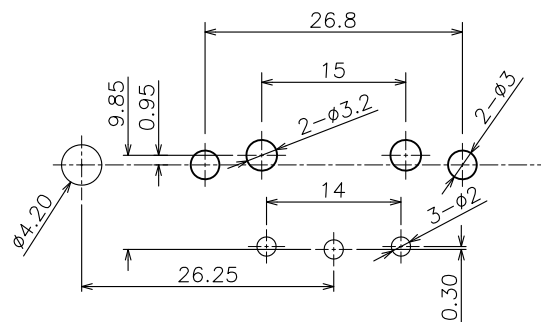
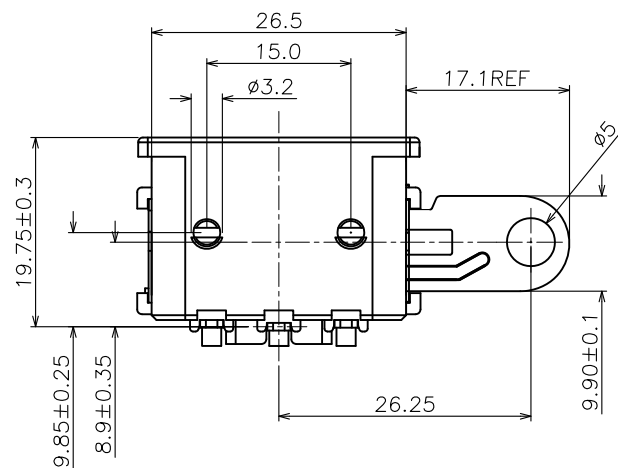


符合"DLK环境管理物质技术标准"

工程变更通知单 ECN(DCN) NO.	版本 REV	日期 DATE	说明 DESCRIPTION	改变 CHANGE	承认 APPRO.
KSECN19067	A	20191212	NEW	—	—



安规型号: CDJ-3



PCB LAYOUT

ACT3K D-03B T3 Y 032HPF

① ② ③ ④ ⑤ ⑥

- ① PRODUCTION CODE (产品编码):
ACT3K: AC SOCKET SERIES
- ② CHARACTER (特征):
D: STRAIGHT ANGLE TYPE
- ③ POSITION (位数):
03: 3 PIN
- ④ COLOR OF HOUSING(本体颜色):
B:BLACK COLOUR
- ⑤ PLATING OF CONTACT(端子电镀):
T3: Tin PLATD
- ⑥ PACKAGE(包装):
Y :TRAY PACKAGE

SPECIFICATION

CONTACT RATING: 15A 250VAC(CUL, UL.)
10A 250VAC (VDE, 3C)
SAFETY APPROVAL: CUL ,UL, VDE, 3C

INSULATION RESISTANCE: 100MΩ MIN.

CONTACT RESISTANCE : ≤30mΩ

INSERTION FORCE : ≤60N

EXTRACTION FORCE : 10~50N

GENERAL TOLERANCE
UNLESS OTHERWISE NOTED

Angle	±5°
X.	±0.50
.X	±0.35
.XX	±0.25
.XXX	±0.15



德力康电子科技有限公司



DELIKANG ELECTRONICS TECHNOLOGY CO.,LTD

C 名称	AC 90D 右侧带接地导电片铁壳(CDJ-3)			
档案名称	C-ACT3K-00-32HPF	料号	PART NO: ACT3KD-03BT3Y032HPF	
FILE NAME:	覃智森	CHECKED	王永辉	APPROVED
DRAWING	UNIT: mm	SCALE	1:1	SHEET: 1 of 1

NO.	ITEM	Q'TY	DESCRIPTION	FINISH
4	Soldering Pin	1	SPTe	Tin
3	Soldering Pin	3	Brass	Tin
2	Contact Pin	3	Brass	Tin
1	INSULATOR	1	PA66 UL94V-0	Black