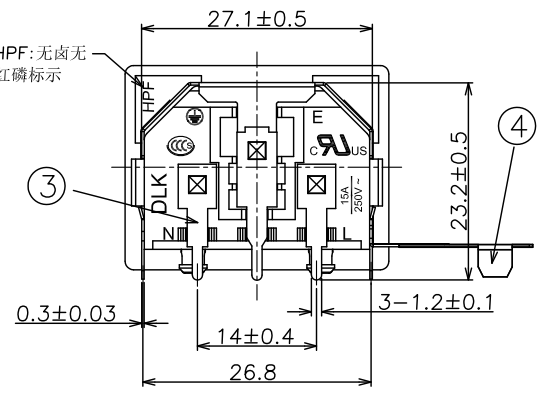
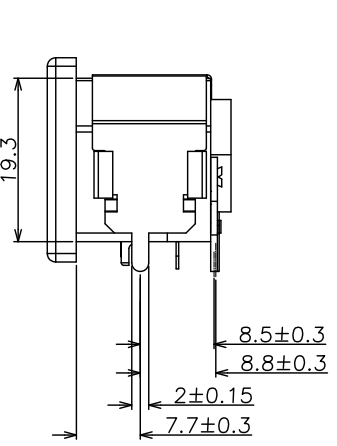
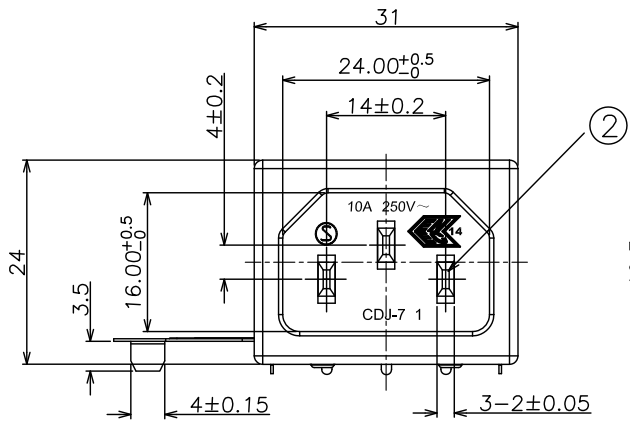


符合"DLK环境管理物质技术标准"

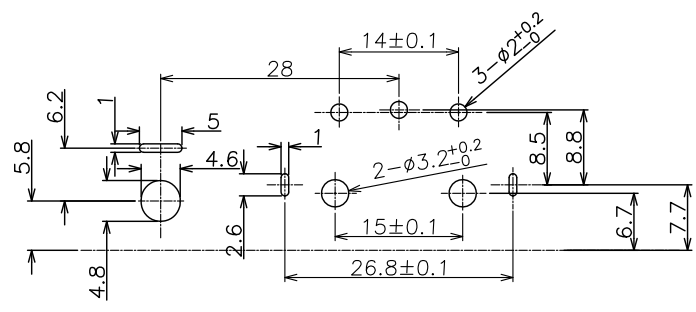
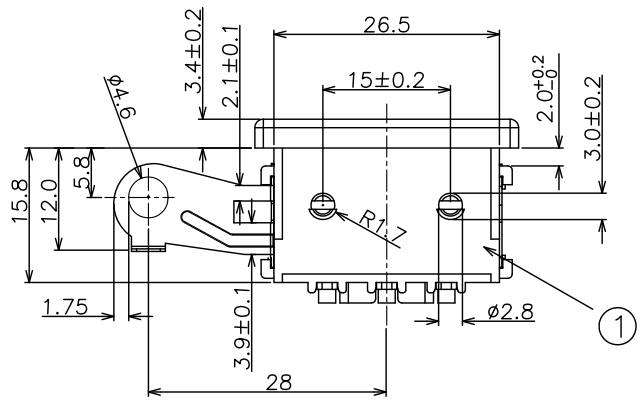
工程变更通知单 ECN(DCN) NO.	版本 REV	日期 DATE	说明 DESCRIPTION	改变 CHANGE	承认 APPRO.
KSECN19030	A	20190618	NEW	—	—



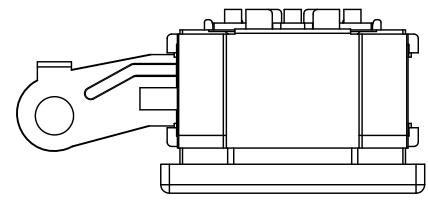
料号说明:

ACT3K D-03 B T3 Y 030HPF
① ② ③ ④ ⑤ ⑥

- ① PRODUCTION CODE (产品编码):
ACT3K: AC SOCKET SERIES
- ② CHARACTER (特征):
D: STRAIGHT ANGLE TYPE
- ③ POSITION (位数):
03: 3 PIN
- ④ COLOR OF HOUSING(本体颜色):
B: BLACK COLOR
- ⑤ PLATING OF CONTACT(端子电镀):
T3: Tin PLATD
- ⑥ PACKAGE(包装):
Y :TRAY PACKAGE



PCB LAYOUT



4	Soldering Pin	1	Tinplate	Tin
3	Soldering Pin	3	Brass	Tin
2	Contact Pin	3	Brass	Nickel
1	Housing	1	PA66 UL 94-V0无卤无红磷	Black
NO.	ITEM	Q'TY	DESCRIPTION	FINISH

GENERAL TOLERANCE UNLESS OTHERWISE NOTED	
Angle	±5°
X.	±0.50
.X	±0.38
.XX	±0.25
.XXX	±0.15

DLK 德力康电子科技有限公司
DELIKANG ELECTRONICS TECHNOLOGY CO.,LTD

C 名称 TITLE:	AC 90D 19H 左侧带接地导电片铁壳			
档案名称 FILE NAME:	C-ACT3K-30-HPF	料号 PART NO:	ACT3KD-03BT3Y030HPF	
DRAWING	王永辉	CHECKED	—	APPROVED 严成旺
UNIT:	mm	SCALE	1:1	SHEET: 1 of 1