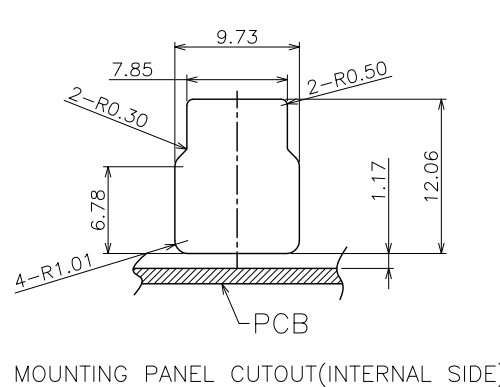
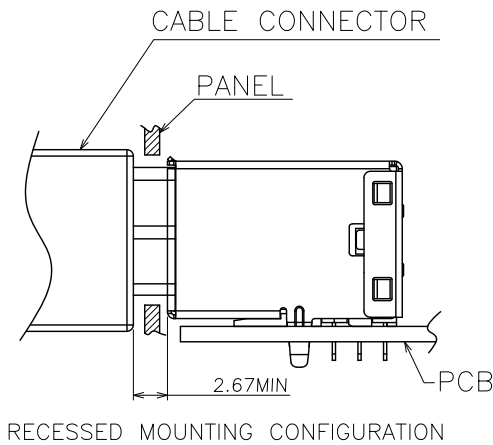
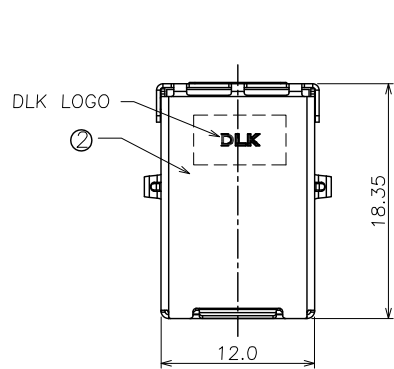


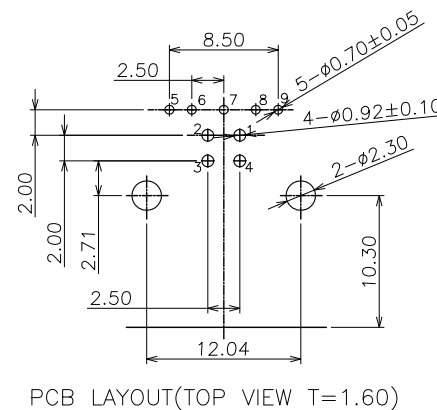
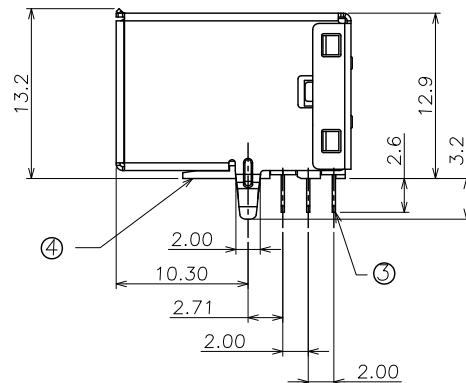
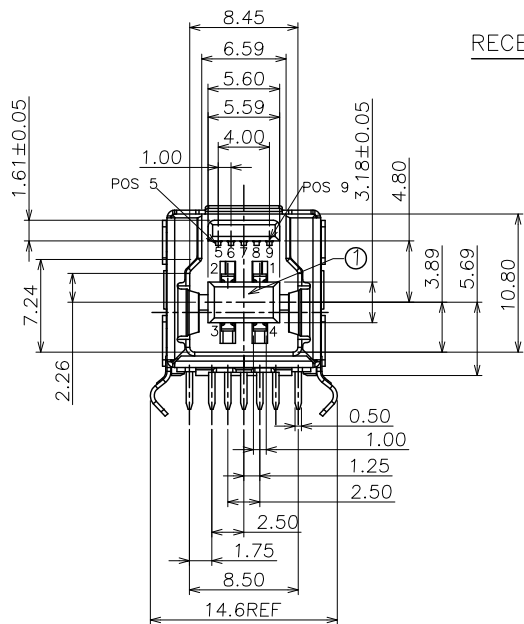
符合"DLK环境管理物质技术标准"

符合USB3.0协会规范标准"

工程变更通知单 ECN(DCN) NO.	版本 REV	日期 DATE	说明 DESCRIPTION	变更 CHANGE	核准 APPRO.
KSECN17054	A	20170913	NEW RELEASE	—	—



- U3B22 D-09 \* M4 Y N2 2 HF
- ① PRODUCTION CODE (产品编码):  
U3B22: USB 3.0 BF DIP 13.05H
- ② CHARACTER (特征):  
D:DIP TYPE
- ③ POSITION (位数):  
09: 9PIN
- ④ COLOR OF HOUSING(本体颜色):  
L:BLUE  
B:BLACK
- ⑤ PLATING OF CONTACT(端子电镀):  
M4 : Au 15U" AND MATTE TIN 50U" PLATED
- ⑥ PACKAGE(包装):  
Y :TRAY PACKAGE
- ⑦ PLATING OF SHELL(铁壳电镀):  
N2 :Ni plated
- ⑧ TYPE:  
2 :弯脚 12.9H



产品净重: 4.72g

4	COVER	1	PA9T/PBT	UL94V-0 无卤
3	CONTACT	9	C2680/C5191	Au PLATED
2	SHELL	1	C2680	Ni PLATED
1	HOUSING	1	PA9T/PBT	UL94V-0 无卤
NO.	ITEM	Q'TY	DESCRIPTION	FINISH

GENERAL TOLERANCE UNLESS OTHERWISE NOTED	
Angle	±2'
.X	±0.38
.X	±0.30
.XX	±0.25
.XXX	±0.15

**DLK** 德力康电子科技有限公司  
DLK DELIKANG ELECTRONICS TECHNOLOGY CO.,LTD

C 名称: USB 3.0 BF 90° DIP 12.9H  
TITLE: 档案名称: C-U3B22-02-HF 料号: U3B22D-09BM4YN22HF  
FILE NAME: PART NO:

DRAWING: 王永辉 CHECKED: APPROVED: 严成旺

UNIT: mm SCALE: 1:1 SHEET: 1 of 1