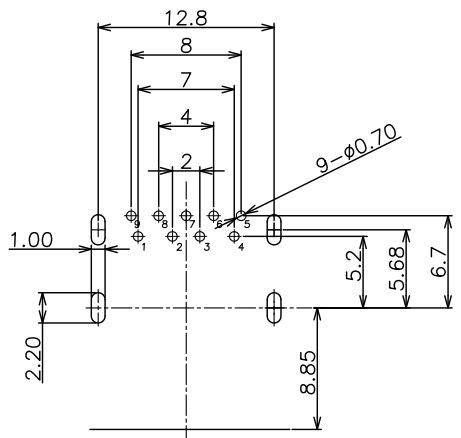
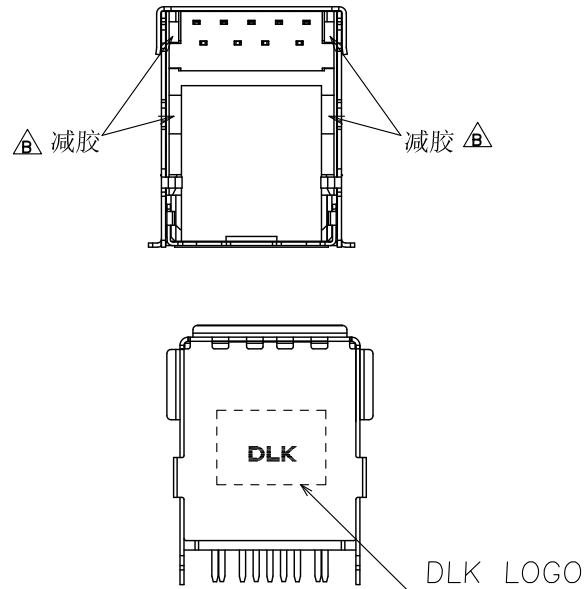


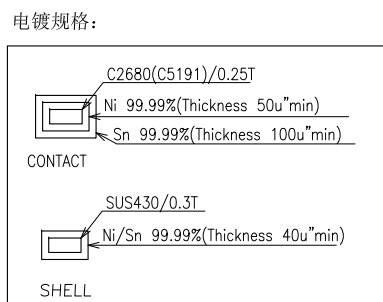
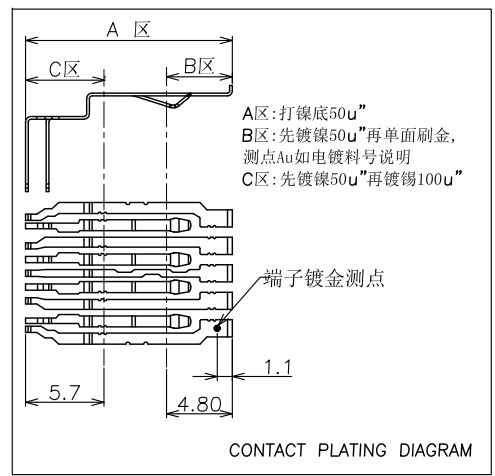
符合"DLK环境管理物质技术标准"

符合USB3.0协会规范标准"

工程变更通知单 ECN(DCN) NO.	版本 REV	日期 DATE	说明 DESCRIPTION	改变 CHANGE	审核 CHECK
KSECN16076	A	20161215	NEW RELEASE	—	—
KSECN17058	B	20171023	依客户要求将产品外壳固定脚塑胶贴板面位置减胶0.5mm	王永辉	严成旺



- U3A20 D-09 * ** R N2 1
- ① ② ③ ④ ⑤ ⑥ ⑦
- ① PRODUCTION CODE (产品编码):
U3B22: USB 3.0 BF DIP 12.6H
- ② CHARACTER (特征):
D:DIP TYPE
- ③ POSITION (位数):
09: 9PIN
- ④ COLOR OF HOUSING(本体颜色):
L:BLUE
Y:YELLOW
B:BLACK
- ⑤ PLATING OF CONTACT(端子电镀):
M1 : Au 1U" AND MATTE TIN 100U" PLATED
M4 : Au 15U" AND MATTE TIN 100U" PLATED
M5 : Au 30U" AND MATTE TIN 100U" PLATED
- ⑥ PACKAGE(包装):
R :TAPE&REEL PACKAGE
- ⑦ PLATING OF SHELL(铁壳电镀):
N2 :Ni plated



NO.	ITEM	Q'TY	DESCRIPTION	FINISH
4	COVER	1	PBT	UL94V-0
3	CONTACT	9	C2680/C5191	Au PLATED
2	SHELL	1	SUS430	Ni PLATED
1	HOUSING	1	PBT	UL94V-0

GENERAL TOLERANCE UNLESS OTHERWISE NOTED	
Angle	±1°
X.	±0.38
.X	±0.30
.XX	±0.25
.XXX	±0.10

德力康电子科技有限公司
DLK DELIKANG ELECTRONICS TECHNOLOGY CO.,LTD

C 名称 TITLE: USB 3.0 AF 90D 15.5H CONNECTOR

档案名称 FILE NAME: C-U3A20-00-01 料号 PART NO: U3A20D-09YM5RN21

DRAWING 王永辉 CHECKED APPROVED 严成旺

UNIT: mm SCALE 1:1 SHEET: 1 of 1