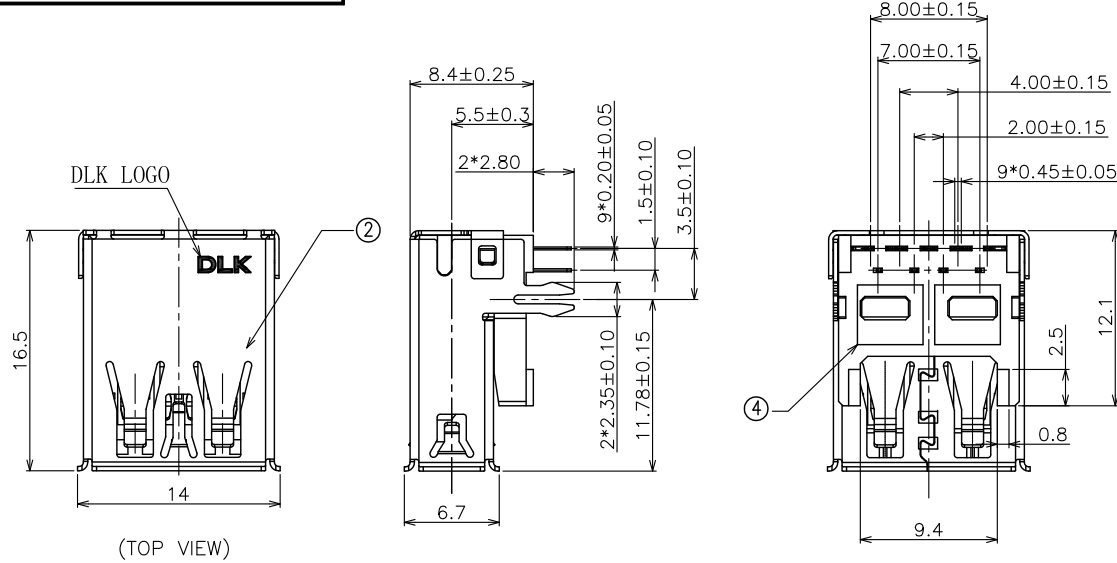


符合"DLK环境管理物质技术标准"

符合USB3.0协会规范标准"

工程变更通知单 ECN(DCN) NO.	版本 REV	日期 DATE	说明 DESCRIPTION	改变 CHANGE	承认 APPRO.
KSECN17031	A	20170602	NEW	—	—



NOTE:

1.MATERIAL:

1.1 INSULATOR:HIGH TEMPERATURE PLASTIC UL 94 V-0;BLUE

1.2 CONTACT:COPPER ALLOY(T=0.20mm)

1.3 SHELL:SUS201(T=0.30mm)

2.ELECTRICAL CHARACTERISTICS;

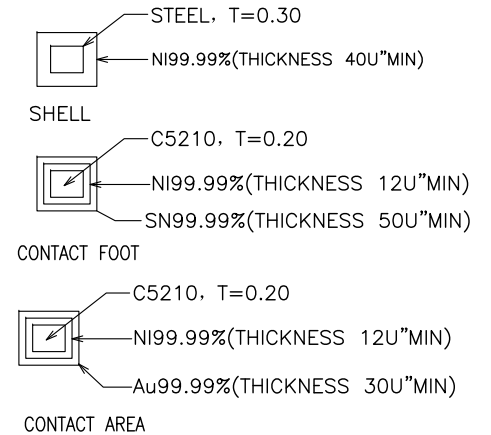
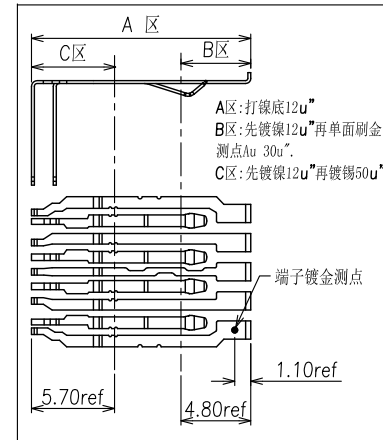
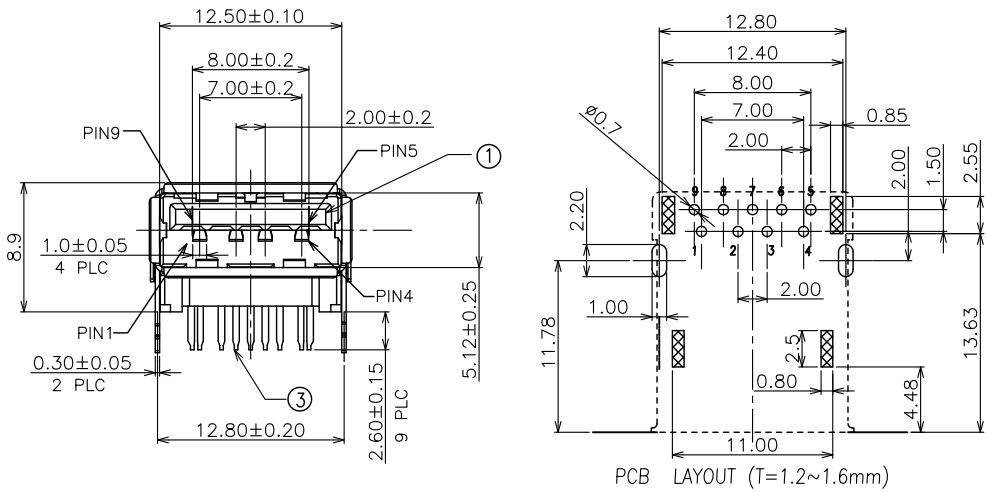
2.1 CONTACT RESISTANCE:30mΩ Max

2.2 CONTACT CURRENT RATING:1.5A

2.3 DIELECTRIC WITHSTANDING VOLTAGE:500 V R.M.S.

2.4 INSULATION RESISTANCE 100 MEGOHMS Min

2.5 OPERATING TEMPERATURE:-40°C ~ 85°C



产品净重:2.42g/PCS

4	COVER	1	LCP	UL94V-0 BLUE
3	CONTACT	9	PHOSPHOR BRONZE	Au PLATED
2	SHELL	1	SUS201	Ni PLATED
1	HOUSING	1	LCP	UL94V-0 BLUE
NO.	ITEM	Q'TY	DESCRIPTION	FINISH

GENERAL TOLERANCE
UNLESS OTHERWISE NOTED

Angle	±1°
X.	±0.30
.X	±0.25
.XX	±0.15
.XXX	±0.10



德力康电子科技有限公司



DELIKANG ELECTRONICS TECHNOLOGY CO.,LTD

C	名称 TITLE:	USB 3.0 AF R/A8.4H			
	档案名称 FILE NAME.	C-U3A20-00-0D	料号 PART NO.:	U3A20D-09LM5YN2D	
DRAWING	王永辉	CHECKED	—	APPROVED	严成旺
UNIT:	mm	SCALE	1:1	SHEET: 1 of 1	