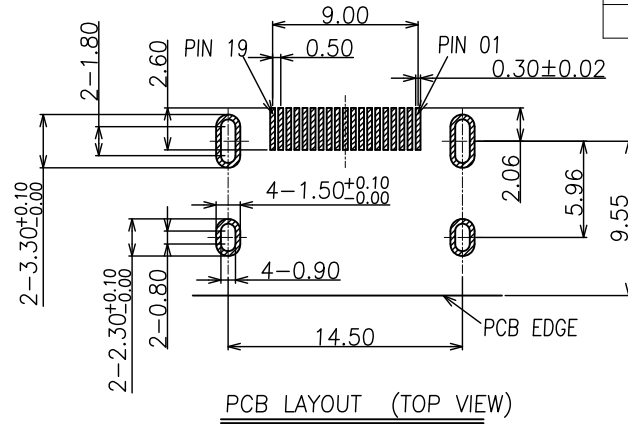
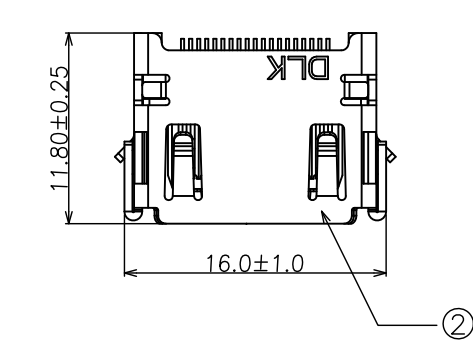


符合DLK环境管理物质技术标准, 符合HDMI协会标准

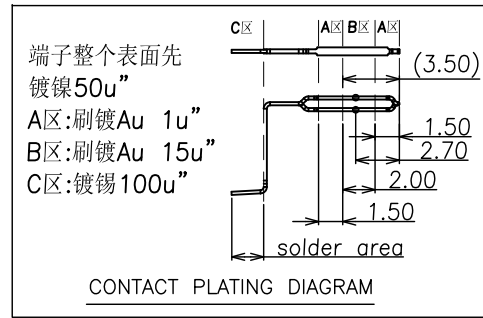
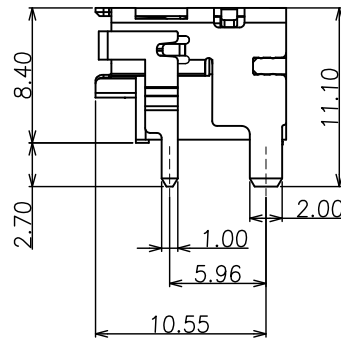
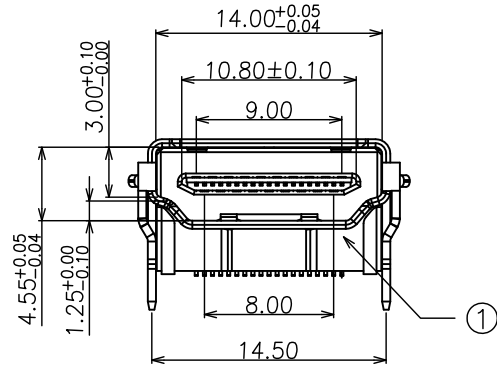
工程变更通知单 ECN(DCN) NO.	版本 REV	日期 DATE	说明 DESCRIPTION	改变 CHANGE	承认 APPRO.
—	A	20121023	根据NPR12004发行客户图面	严 钊	~
KSECN17006	B	20170317	在14.00和4.55尺寸上增加公差 Δ *2	陈浩泽	
KSECN18037	C	20190104	依实物更新图面	覃智森	王永辉



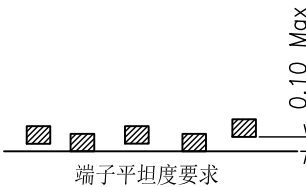
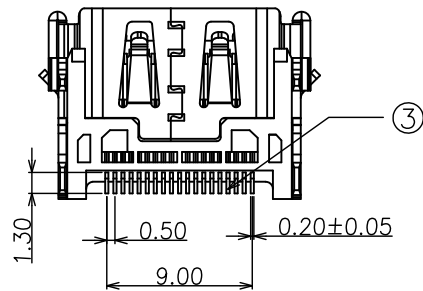
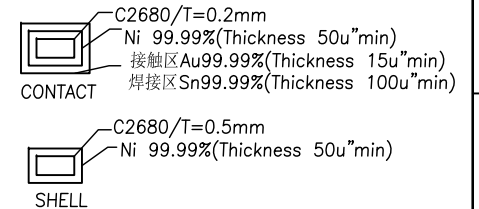
HDM45 A-19 B M4 * N1 0

① ② ③ ④ ⑤ ⑥ ⑦

- ① PRODUCTION CODE (产品编码):
HDM25: HDMI SERIES
- ② CHARACTER (特征):
A:SMT TYPE
- ③ POSITION (位数):
19:19PIN
- ④ COLOR OF HOUSING(本体颜色):
B:BLACK COLOR
- ⑤ PLATING OF CONTACT(端子电镀):
M4 :Au15u" AND TIN PLATD
- ⑥ PACKAGE(包装):
→ R :TAPE&REEL PACKAGE
Y :TRAY PACKAGE
- ⑦ PLATING OF SHELL(铁壳电镀):
N1:NI PLATD



端子整个表面先
镀镍50u"
A区:刷镀Au 1u"
B区:刷镀Au 15u"
C区:镀锡100u"



NO.	ITEM	Q'TY	DESCRIPTION	FINISH
3	CONTACT	19	C2680R-H	PLATED Au
2	SHELL	1	C2680R-H	PLATED NI
1	HOUSING	1	LCP	UL94V-0,Black

GENERAL TOLERANCE UNLESS OTHERWISE NOTED	
Angle	±1°
X.	±0.30
.X	±0.25
.XX	±0.15
.XXX	±0.10
UNIT:	mm
A4	

DLK 德力康电子科技有限公司
DELIKANG ELECTRONICS TECHNOLOGY CO.,LTD

C 名称 TITLE: HDMI A TYPE R/A 8.4H DIP脚长2.7 CONN.
档案名称 FILE NAME: C-HDM45-00-00 料号 PART NO: HDM45A-19BM4RN10

DRAWING 严 钊 CHECKED ——— APPROVED 严成旺

UNIT: mm SCALE 1:1 SHEET: 1 of 1

A
B
C
D
E
F
G
H
I
J

A
B
C
D
E
F
G
H
I
J

1 2 3 4 5 6 7 8 9 10 11