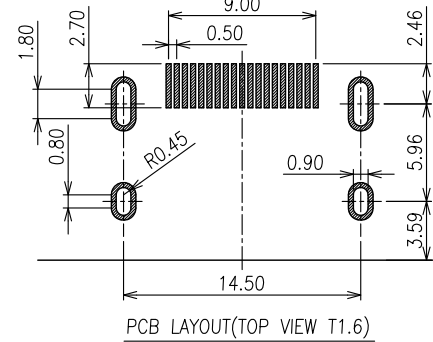
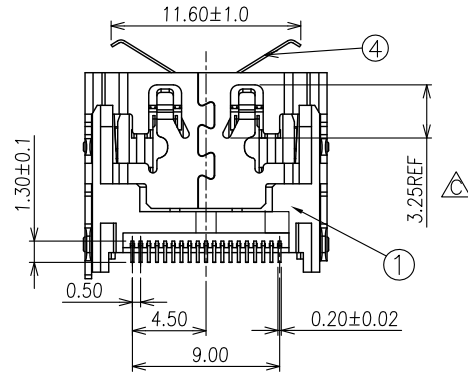
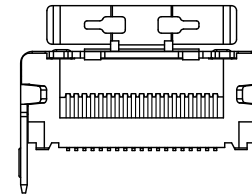
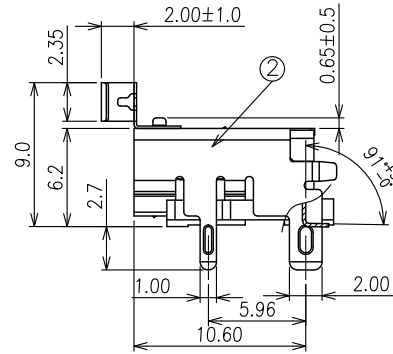
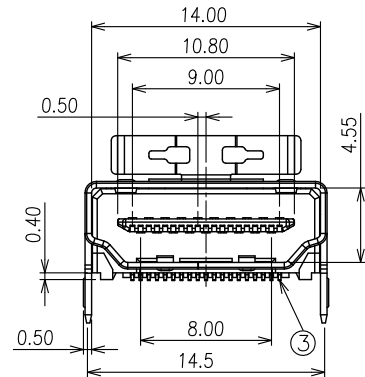
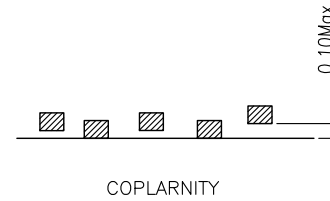
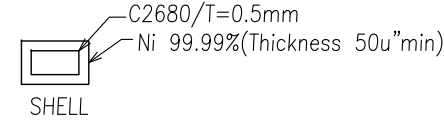
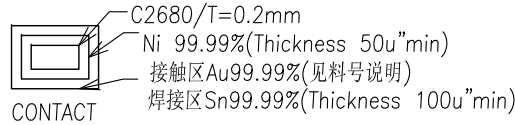
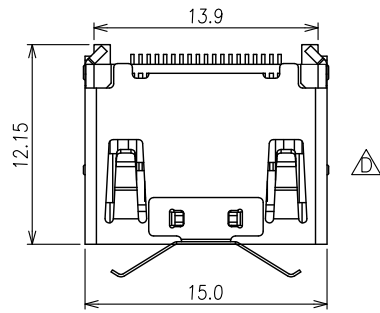


符合"DLK环境管理物质技术标准",符合HDMI协会规范要求

工程变更通知单 ECN(DCN) NO.	版本 REV	日期 DATE	说明 DESCRIPTION	改变 CHANGE	承认 APPRO.
—	A	20130805	NEW	—	—
KSECN16019	B	20160316	新增端子电镀规格 $\Delta \times 1$	陈浩泽	严成旺
KSECN17002	C	20170209	1. 为增大拔出力, 修改底部力臂由5.38改为3.25 2. LOGO上增加横杠标识 $\Delta \times 2$	陈浩泽	王永辉
KSECN19068	D	20191226	1. 取消DLK LOGO和横杠标识 2. 取消麦拉 $\Delta \times 1$	王永辉	严成旺



HDM41 A-19 B XX R N1 6
① ② ③ ④ ⑤ ⑥ ⑦

- ① PRODUCTION CODE (产品编码):
HDM41: MOLDING HDMI SERIES
- ② CHARACTER (特征):
A:R/A SMT TYPE
- ③ POSITION (位数):
19:19PIN
- ④ COLOR OF HOUSING(本体颜色):
B:BLACK COLOR
- ⑤ PLATING OF CONTACT(端子电镀):
 Δ M1 :Au 1u" MIN AND MATTE TIN 100u" PLATED
M4 :Au 15U" MIN AND MATTE TIN 100U" PLATED
- ⑥ PACKAGE(包装):
R :TAPE&REEL PACKAGE
- ⑦ PLATING OF SHELL(铁壳电镀):
N1:NI PLATED

德力康电子科技有限公司
DLK DELIKANG ELECTRONICS TECHNOLOGY CO.,LTD

NO.	ITEM	Q'TY	DESCRIPTION	FINISH
4	SHRAPNEL	1	SUS 301	—
3	CONTACT	19	COPPER ALLOY	PLATED Au
2	SHELL	1	COPPER ALLOY	PLATED NI
1	HOUSING	1	LCP	UL94V-0,Black

GENERAL TOLERANCE
UNLESS OTHERWISE NOTED

Angle	±1°
X.	±0.30
.X	±0.25
.XX	±0.15
.XXX	±0.10

C 名称 TITLE:	HDMI A/F R/A 9.0H 19PIN SMT CONN.			
档案名称 FILE NAME:	C-HDM41-00-06	料号 PART NO.:	HDM41A-19B4R N16	
DRAWING	陆桂棚	CHECKED	—	APPROVED 严成旺
UNIT:	mm	SCALE	1:1	SHEET: 1 of 1