

符合"DLK环境管理物质技术标准"

符合"DDWG协会标准"

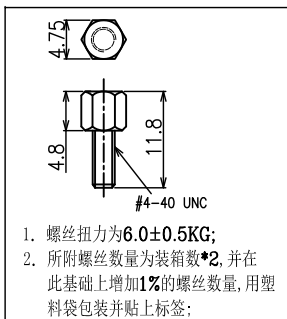
工程变更通知单 ECN(DCN) NO.	版本 REV	日期 DATE	说明 DESCRIPTION	改变 CHANGE	承认 APPRO.
KSECN13032	A	20130729	NEW	—	—
KSECN13043	B	20130904	依客户要求将PIN脚长1.90±0.15改为2.10±0.15 $\Delta$ *1	王永辉	严成旺
KSECN13066	C	20131226	后盖材质由LCP料改为PA66 $\Delta$ *1	王永辉	严成旺

DVI2A D-24 H S1 Y N4 X HF

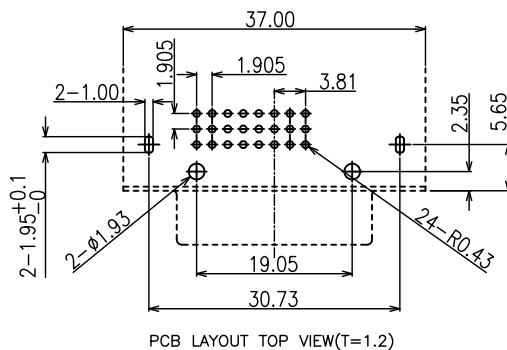
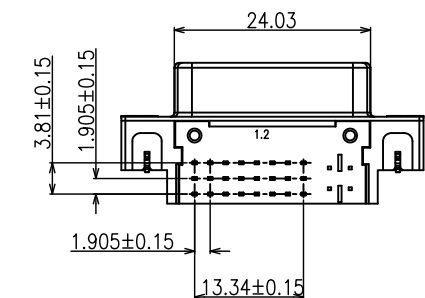
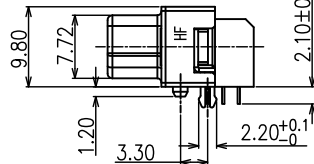
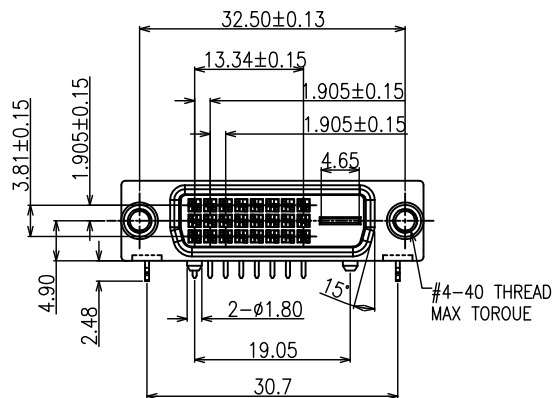
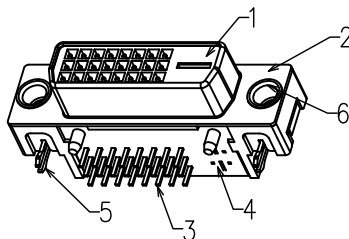
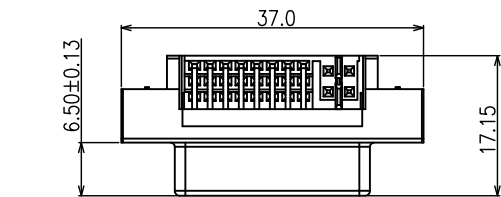
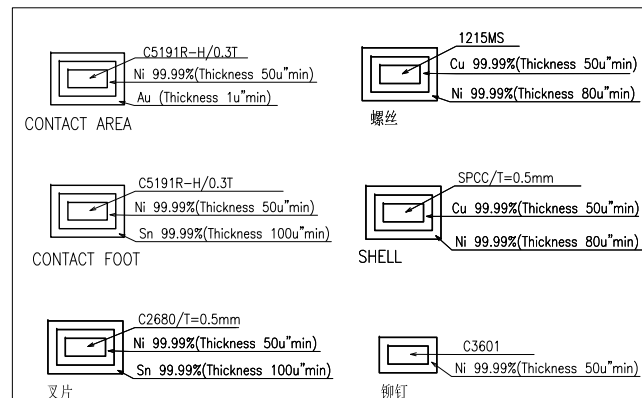
① ② ③ ④ ⑤ ⑥ ⑦ ⑧ ⑨

- ① PRODUCTION CODE (产品编码):  
DVI2A: DVI-D R/A DIP SERIES
- ② CHARACTER (特征):  
D:DIP TYPE
- ③ POSITION (位数):  
24:24PIN
- ④ COLOR OF HOUSING(本体颜色):  
H:GRAY
- ⑤ PLATING OF CONTACT(端子电镀):  
S1 :Au AND TIN PLATD
- ⑥ PACKAGE(包装):  
Y :TRAY PACKAGE
- ⑦ PLATING OF SHELL(铁壳电镀):  
N4:NI PLATD
- ⑧ TYPE:  
0:无螺丝  
2:锁螺丝  
3:附螺丝  
⑨ 特殊码:  
HF:无卤规格

螺丝规格



电镀规格



NO.	ITEM	Q'TY	DESCRIPTION	FINISH
6	NUT	2	BRASS	Ni PLATED
5	BOARD LUCK	2	BRASS	Tin PLATED
4	COVER	1	PA66 (无卤) $\Delta$	UL94V-0, BLACK
3	CONTACT	24	PHOSPHOR BRONZE/BRASS	Au PLATED
2	SHELL	1	SPCC	Ni PLATED
1	HOUSING	1	PA66 (无卤)	UL94V-0, GRAY

GENERAL TOLERANCE UNLESS OTHERWISE NOTED

Angle	±5°
X.	±0.38
.X	±0.30
.XX	±0.25
.XXX	±0.15

**DLK** 德力康电子科技有限公司  
DELIKANG ELECTRONICS TECHNOLOGY CO.,LTD

C 名称 TITLE:	DVI-D R/A 9.8H CONN.	料号 PART NO.:	DVI2AD-24HS1YN43HF
档案名称 FILE NAME.	C-DVI2A-00-01	PART NO. (OLD)	—
DRAWING	王永辉	CHECKED	—
UNIT:	mm	SCALE	1:1
		APPROVED	严成旺
		SHEET:	1 of 1