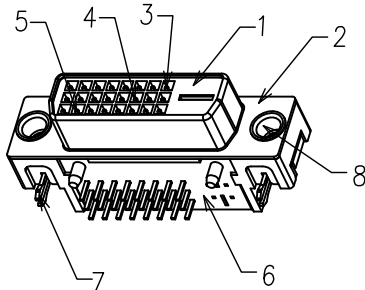
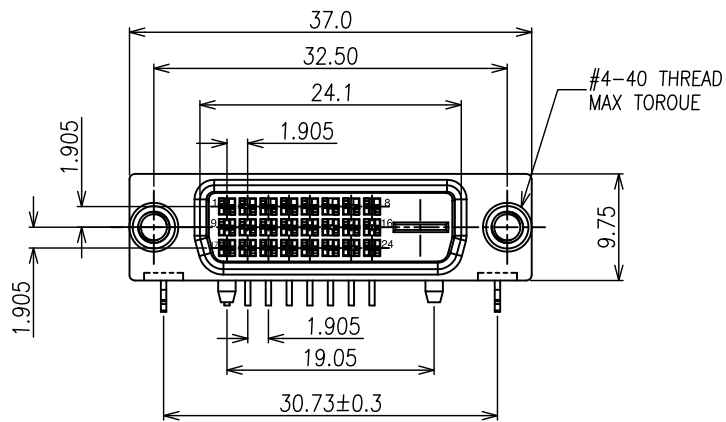


符合"DLK环境管理物质技术标准"

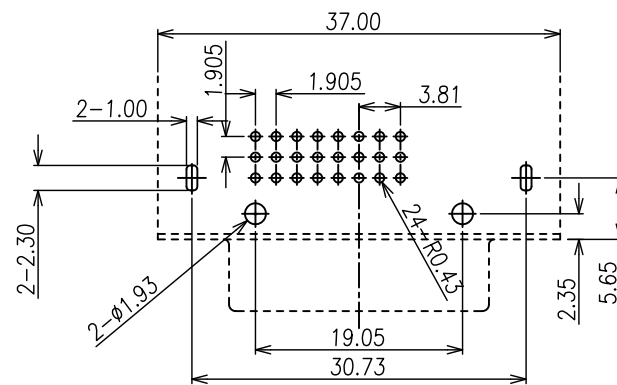
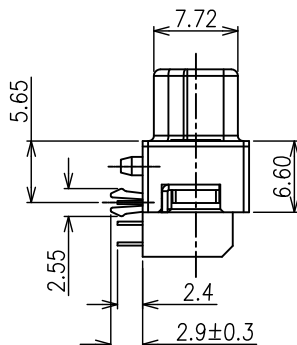
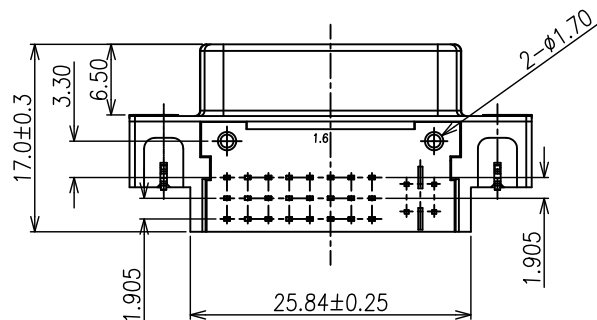
工程变更通知单 ECN(DCN) NO.	版本 REV	日期 DATE	说明 DESCRIPTION	改变 CHANGE	承认 APPRO.
KSECN19013	A	20190326	NEW RELEASE	—	—



DVI24 D-24 H S1 Y N4 K

- ① ② ③ ④ ⑤ ⑥ ⑦ ⑧
- ① PRODUCTION CODE (产品编码):
DVI24: DVI SERIES
 - ② CHARACTER (特征):
D:DIP TYPE
 - ③ POSITION (位数):
24:24PIN
 - ④ COLOR OF HOUSING(本体颜色):
H:GRAY
 - ⑤ PLATING OF CONTACT(端子电镀):
S1 :Au AND TIN PLATD
 - ⑥ PACKAGE(包装):
R :TRAY PACKAGE
 - ⑦ PLATING OF SHELL(铁壳电镀):
N4:NI PLATD
 - ⑧ TYPE:

K:无螺丝(叉片尺寸2.55mm)



PCB LAYOUT(TOPVIEW T=1.6mm)

8	NUT	2	BRASS	Ni PLATED
7	BOARD LUCK	2	BRASS	Tin PLATED
6	COVER	1	PA66	UL94V-0,GRAY
5	SHORT CONTACT	8	BRASS	Au PLATED
4	MIDDLE CONTACT	8	BRASS	Au PLATED
3	LONG CONTACT	8	BRASS	Au PLATED
2	SHELL	1	SPCC	Ni PLATED
1	HOUSING	1	PA66	UL94V-0,GRAY
NO.	ITEM	Q'TY	DESCRIPTION	FINISH

GENERAL TOLERANCE
UNLESS OTHERWISE NOTED

Angle	±3'
X.	±0.50
.X	±0.38
.XX	±0.25
.XXX	±0.15



德力康电子科技有限公司



DELIKANG ELECTRONICS TECHNOLOGY CO.,LTD

C 名称 TITLE:	DVI-D R/A 9.75H CONN.			
档案名称 FILE NAME.	C-DVI24-00-0K	料号 PART NO.	DVI24D-24HS1YN4K	
DRAWING	王永辉	CHECKED	—	APPROVED 严成旺
UNIT:	mm	SCALE	1:1	SHEET: 1 of 1