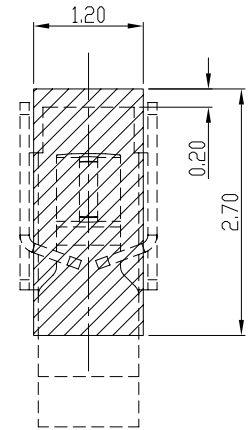
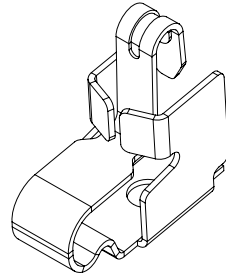
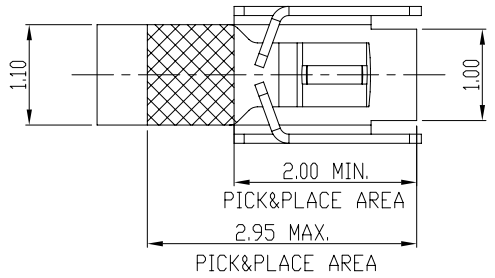
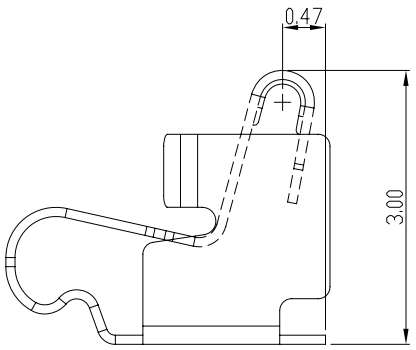
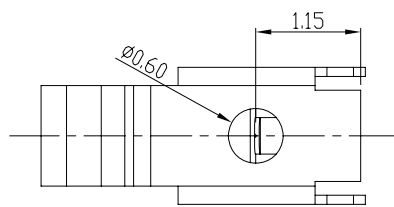
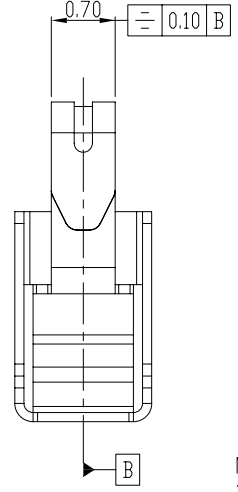
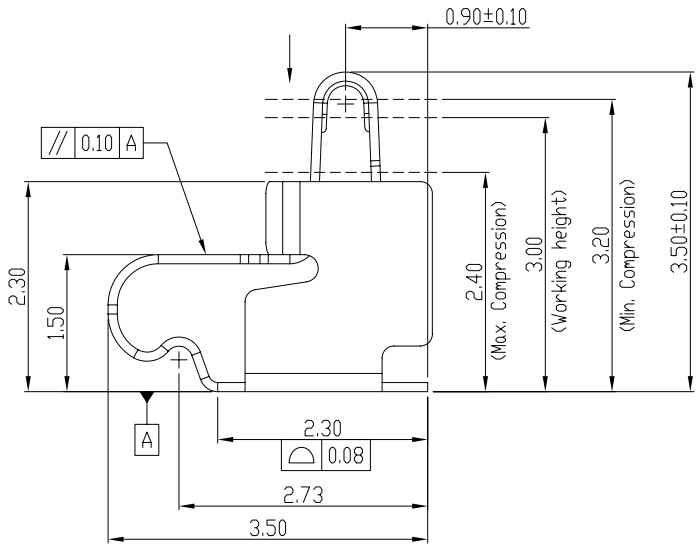
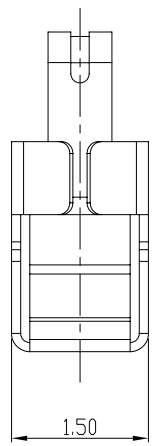


Rev.	ECN Number	Description	Date	Drawn	Checkd	Approved
A	ECN11144	NEW RELEASE	03/03'11	STAR HU		
B	ECN11929	CHANGE PCB LAYOUT	09/30'11	STAR HU		



RECOMMENDED PCB LAYOUT
TOLERANCE ±0.05MM



State at
working height 3.00mm

- NOTES:
1:MATERIAL:
1-1: STAINLESS STEEL, T=0.10mm.
2:FINISH:
2-1: 3u" MIN. Au PLATING ON CONTACT AREA, GOLD FLASH PLATING ON SOLDER AREA, 50~150u" NICKEL UNDERPLATING OVER ALL.
3:SPECIFICATIONS:
3-1.CONTACT RESISTANCE:50mΩ MAX.
3-2.OPERATING TEMPERATURE: -20°C~+65°C.
3-3.PRE-LOAD FORCE:0.40N ON CONTACT POINT.
3-4.FORCE MAX. DEFLECTION:0.75N ON CONTACT POINT.
3-5.MAX.BEAM DEFLECTION:1.10mm. ON CONTACT POINT.
4:RF PERFORMANCE:
4-1.IMPEDANCE:50ΩHM.
4-2.VSWR: 1.5MAX.(DC~3GHz)
4-3.INSERTION LOSS: 0.6dBMAX.(DC~3GHz)
5:DURABILITY: 100 CYCLES.
6:PACKING SPECIFICATION:REEL&TAPE

ECT <i>Electric Connector Technology CO., Ltd.</i> 电连精密技术有限公司	GENERAL TOLERANCE		SCALE:	DRAWN	DATE	DWG. NO.	TITLE	REV.
	XX. ±0.50		1:1	STAR HU	03/03'11	600-0379-01	(CUSTOMER DRAWING)	B
	X. ±0.35	X.° ±2.0°	UNIT:	CHECK	DATE	PARTS NO.(INTENDED USE)	Antenna RF Spring,SMT,	SHEET
	.X ±0.25	.X° ±1.0°	mm	APPROVE	DATE	818000379	Au Plating,L3.5*W1.5*H3.5mm	1/1
	.XX ±0.15	.XX° ±0.5°	SIZE: A4					