

# 承 认 书

## SPECIFICATION FOR APPROVAL

客户名称: Customer \_\_\_\_\_

货 名: Description HC-49SSMD 石英晶体谐振器

客户料号: Part No \_\_\_\_\_

物料编号: Code No 49SAT25000201030JY

频 率: Frequency 25.000MHz

日 期: Date 2020-06-09

备 注: RoHS compliance with Directive (EU) 2015/863

| 制作(Prepare by) | 检查(Check by) | 批准 (Approve by) |
|----------------|--------------|-----------------|
| 江丹娜            | 甘瑛           | 张刚              |

|                             |  |
|-----------------------------|--|
| 客户批准<br>Approve by customer |  |
| 批准日期<br>Approval date       |  |

Add:广东省深圳市华发北路桑达工业区桑达雅苑 7P

7 P Sangda Yayuan Huafa North Road, Futian District, Shenzhen, Guangdong

Tel: 86-755-83048260

86-755-83048290

Fax: 86-755-83048280

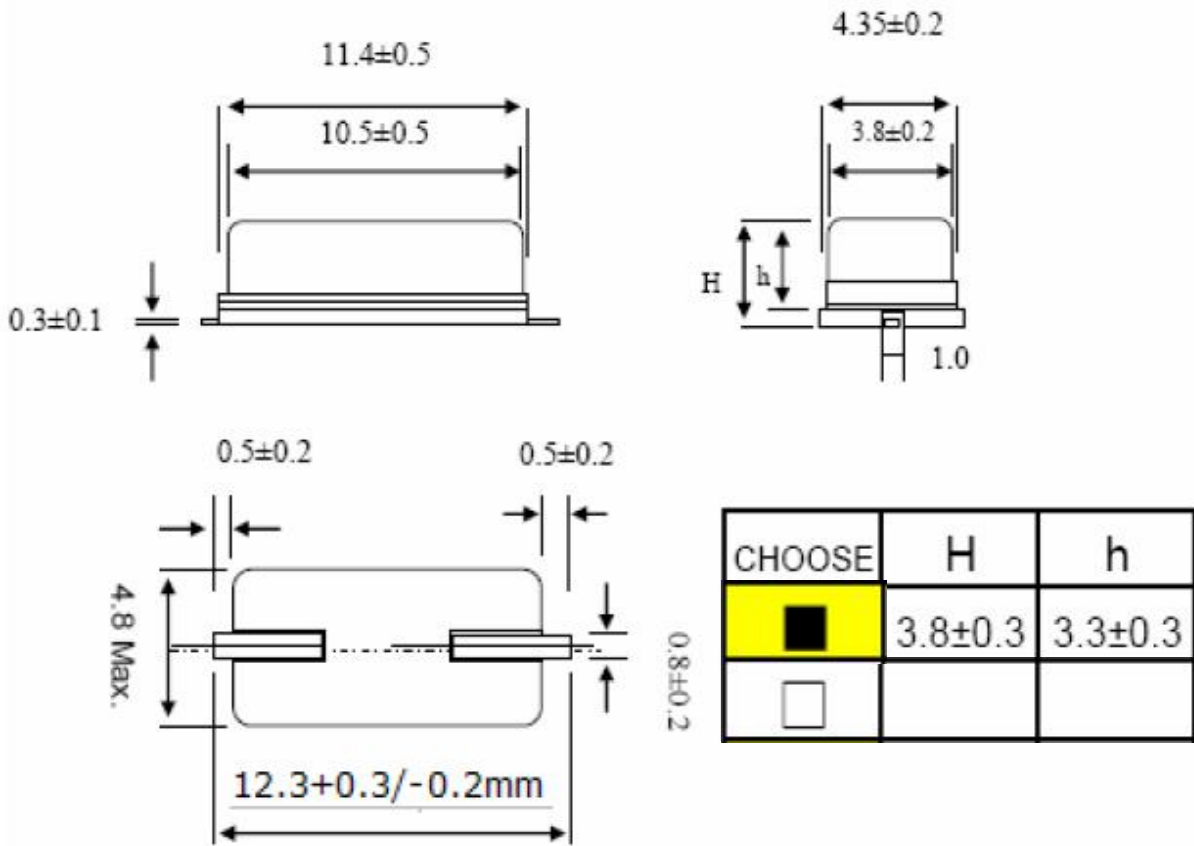
## 1、 Specifications

|    |   |                   |
|----|---|-------------------|
| 1  | 规格型号 <b>Holder Type</b>                     | HC-49SSMD         |
| 2  | 标称频率 <b>Nominal Frequency</b>               | 25.000MHz         |
| 3  | 振动模式 <b>Mode of Oscillation</b>             | 基频                |
| 4  | 调整频差 <b>Frequency Tolerance at 25℃</b>      | ±10ppm            |
| 5  | 温度频差 <b>Temperature Frequency Stability</b> | ±30ppm            |
| 6  | 工作温度 <b>Operating Temperature Range</b>     | -40~85℃           |
| 7  | 贮存温度 <b>Storage Temperature Range</b>       | -40~90℃           |
| 8  | 负载电容 <b>Load Capacitance</b>                | 20pF              |
| 9  | 静电容 <b>Shunt capacitance</b>                | ≤7 pF             |
| 10 | 等效电阻 <b>Equivalent Series Resistance</b>    | 30Ω Max           |
| 11 | 激励功率 <b>Drive Level</b>                     | 10uW              |
| 12 | 绝缘阻抗 <b>Insulation Resistance</b>           | 500MΩ min./DC100V |

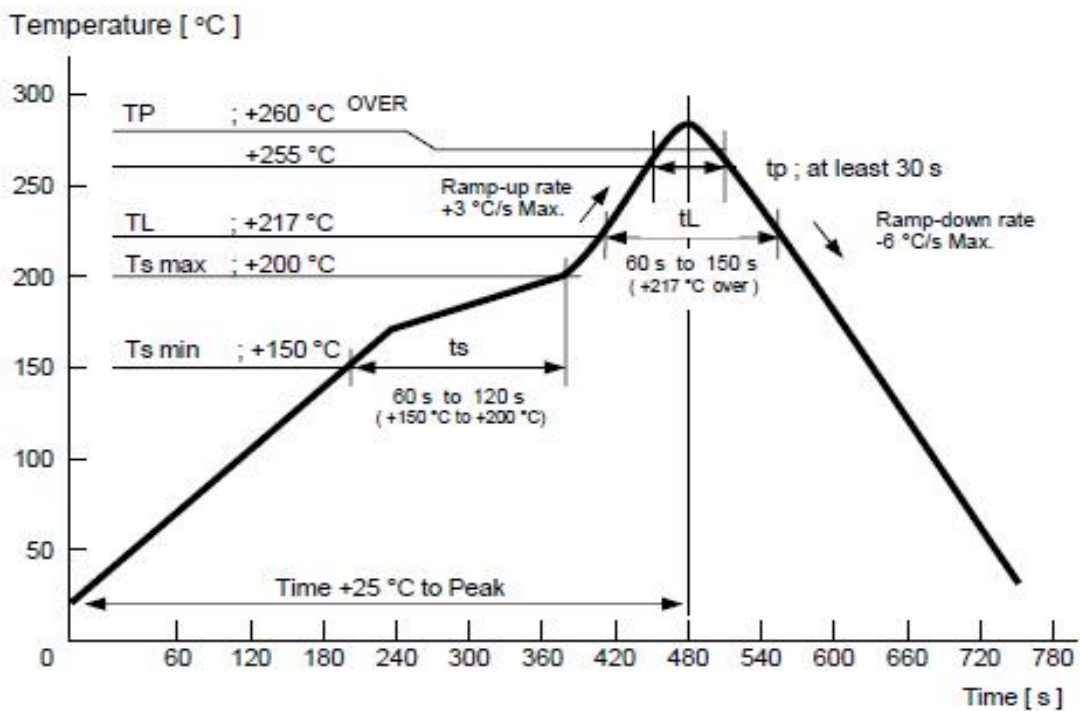
## 2、 Frequency stability over temperature range (AT cut)

| Temperature Range | Frequency Stability |       |         |        |        |        |        |        |
|-------------------|---------------------|-------|---------|--------|--------|--------|--------|--------|
|                   | ±3PPM               | ±5PPM | ±7.5PPM | ±10PPM | ±20PPM | ±30PPM | ±50PPM | ±70PPM |
| 0℃~+50℃           | ☆                   | ☆     | ☆       | ☆      | ☆      | ☆      | ☆      | ☆      |
| -10℃~+60℃         |                     |       | ☆       | ☆      | ☆      | ☆      | ☆      | ☆      |
| -20℃~+70℃         |                     |       |         | ☆      | ☆      | ☆      | ☆      | ☆      |
| -30℃~+70℃         |                     |       |         |        | ☆      | ☆      | ☆      | ☆      |
| -40℃~+85℃         |                     |       |         |        |        | ☆      | ☆      | ☆      |
| -40℃~+125℃        |                     |       |         |        |        | ☆      | ☆      | ☆      |

### 3、Dimensions (unit:mm)



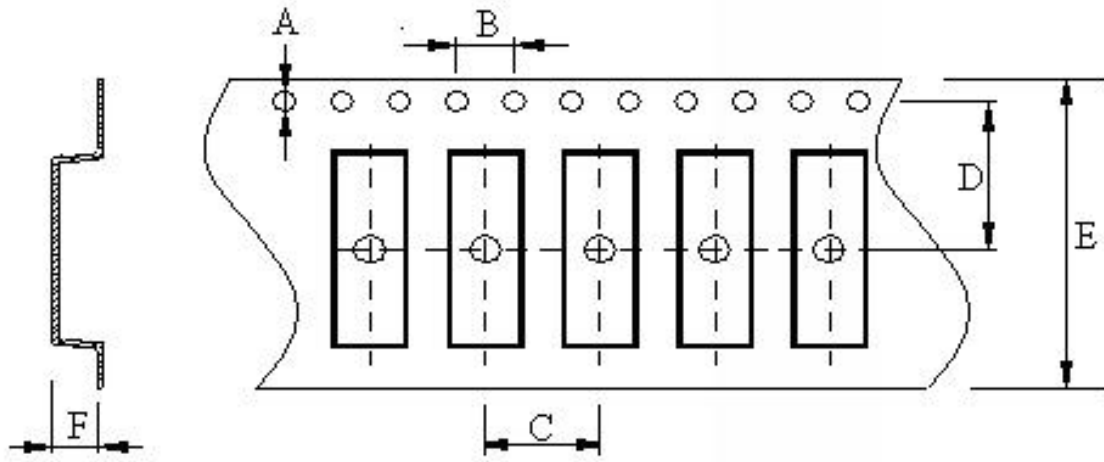
### 4、 Recommended Reflow profile



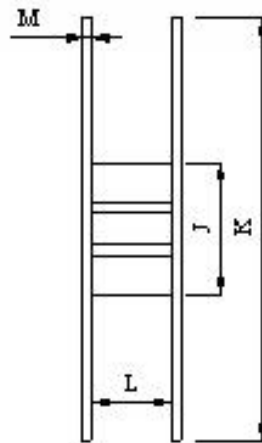
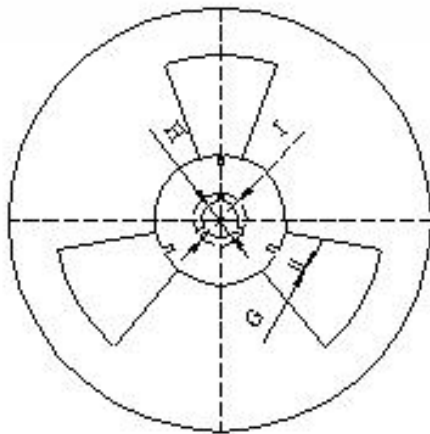
## 5、Reliability specifications

| NO | Item                         | Condition  | Standard   |
|----|------------------------------|--|--|
| 1. | Drop Test                    | Free drop from 50cm height on a hard wooden board for 3 times. (Board is thickness more than 30 mm.)                           | Frequency change:<br>≤5ppm<br>Rr as specification  |
| 2. | Mechanical Shock             | Half sine wave, 1000G, 0.5mS, three times for all 3 directions   | Frequency change:<br>≤5ppm<br>Rr as specification  |
| 3. | Vibration                    | Frequency range:10~55hz<br>Amplitude:1.52mm<br>Sweep time:1mintutes<br>perpendicular axes each test time:2Hrs                  | Frequency change:<br>≤5ppm<br>Rr as specification  |
| 4. | Solderability                | Temperature:245℃±5℃<br>Immersing depth:0.5mm minimum<br>Immersion time:5±1sec.<br>Flux:Rosin resin methyl alcohol solvent(1:4) | 90% exhibit tin ok                                 |
| 5. | Resistance to soldering heat | Test temperature:260℃±5℃<br>Test time :10±1sec.  | Frequency change:<br>≤10ppm<br>Rr as specification |
| 6. | High Temp & Humidity         | 85±3℃& RH85%, 500±12 hours   | Frequency change:<br>≤10ppm<br>Rr as specification |
| 7. | Low temperature storage      | -40±3℃, 500±12 hours   | Frequency change:<br>≤10ppm<br>Rr as specification |
| 8. | High temperature storage     | +85±3℃, 500±12 hours   | Frequency change:<br>≤10ppm<br>Rr as specification |
| 9. | Temperature cycling          | -40±3℃/10min~+85±3℃/10min,<br>100cycles  | Frequency change:<br>≤10ppm<br>Rr as specification |

6、Tape & Reel ( unit: mm )



| A        | B       | C        | D        | E        | F       |
|----------|---------|----------|----------|----------|---------|
| 1.55±0.1 | 4.0±0.1 | 12.0±0.1 | 11.5±0.1 | 24.0±0.3 | 3.5±0.2 |



| G       | H        | I        | J         | K       | L        | M       |
|---------|----------|----------|-----------|---------|----------|---------|
| 2.2±0.5 | 13.0±0.2 | 20.2±1.0 | 100.0±1.0 | 330±2.0 | 24.5±0.3 | 2.3±0.5 |

## 7、Packing

1. 每盘数量 Capacity of a plastic reel : 1000 PCS
2. 每内箱数量 Capacity per inner box : 1000 PCS (A reel inner)
3. 每大箱数量 Capacity per outer carton : 10000 PCS (10× inner box) .

