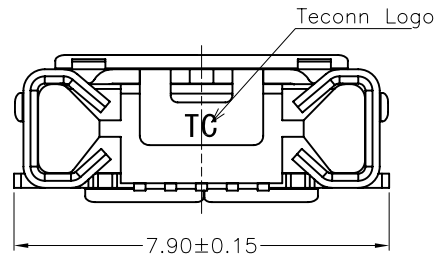
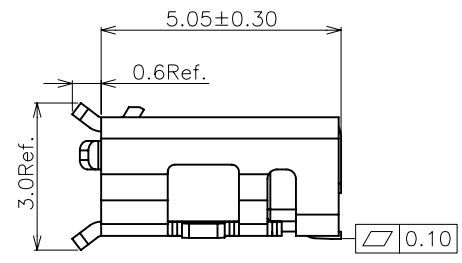
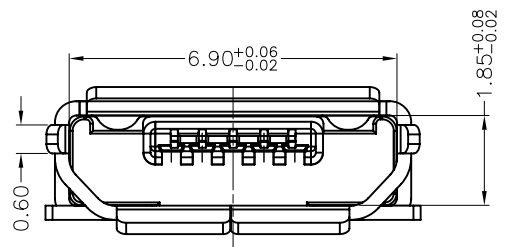
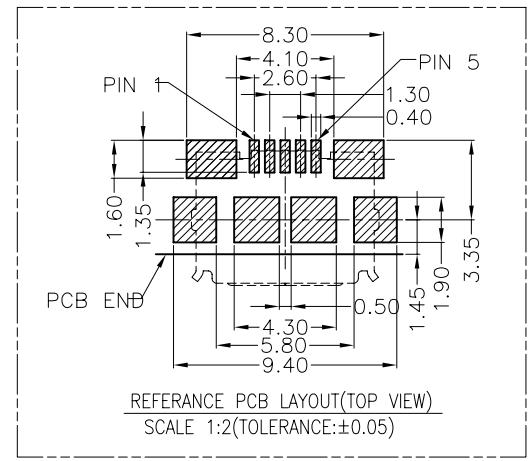
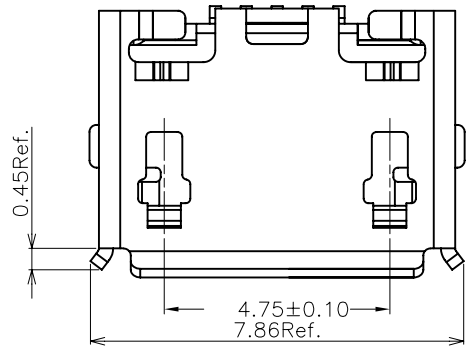


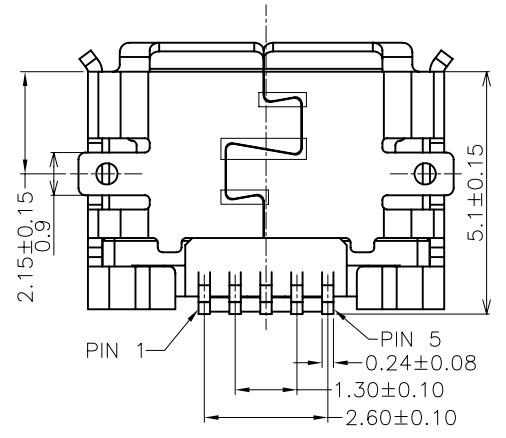
THE PART MEETS TECONN "GP001" COMPLIANCE




A4A0502-X-XX-R
LOGO Mating Area plating

C: Without LOGO 01: Au 1u"Min.
D: With "TC" LOGO 03: Au 3u"Min.
05: Au 5u"Min.
10: Au 10u"Min.
15: Au 15u"Min.
30: Au 30u"Min.

- Contact Resistance:30mOHM Max.;
- Dielectric Withstanding Voltage:100V AC For 1 Minute;
- Insulation Resistance:1000M OHM Min.;
- Mating And Unmating Force:
Mating Force:35N Max/Unmating Force:8N Min;
- Durability:10000 Cycles;



Item	Title	Material	Dispose
1	Shell	Stainless Steel	Matte Tin 80u"min.
2	Terminal	Copper Alloy	Mating Area:See P/N Solder Tails::G/F.
3	InsertMolding	LCP	UL94V-0

X. ± 0.35	APPD:	TITLE:	 泰康电子 TECONN
.X ± 0.25	CHKD:	MICRO USB B/F 5PIN SMT	
.XX ± 0.15	DR: Kevin Han	PART NO: A4A0502-C(D)-XX-R	
.XXX±		DWG NO:	CUSTOMER DRAWING
X' ± 2'		UNITS: mm	SCALE: 1:1
.X' ± 1.5'		C-A4A0502-C(D)-XX-R	
			SHEET:10F1 REV: A

A	TE2011-xxxx	New Drawing	2011/08/10
REV	ECN NO	DESCRIPTION	DATE