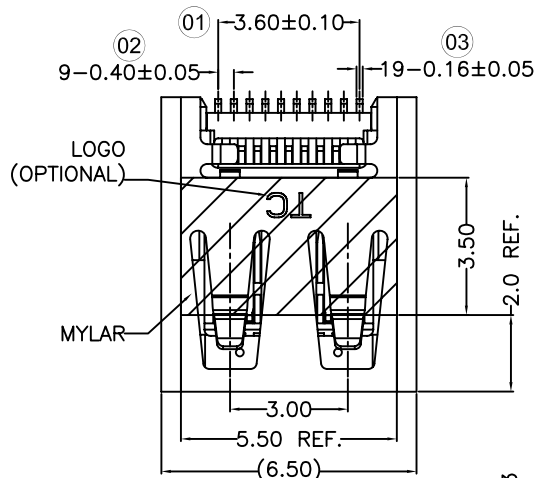


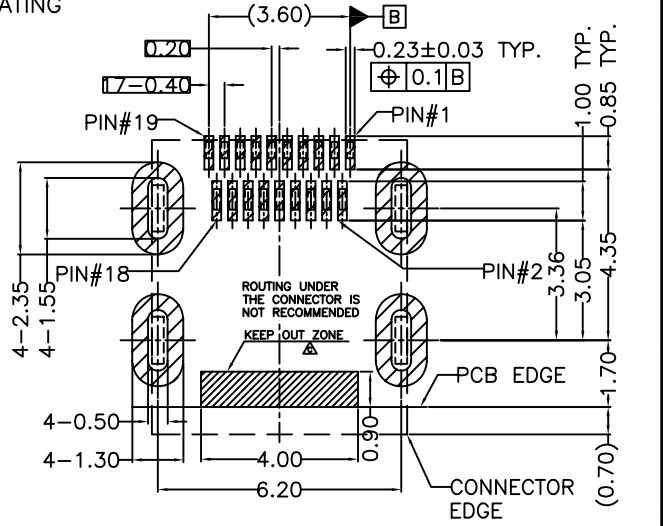
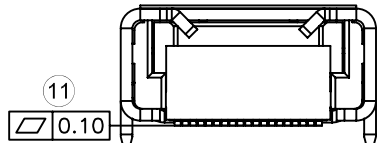
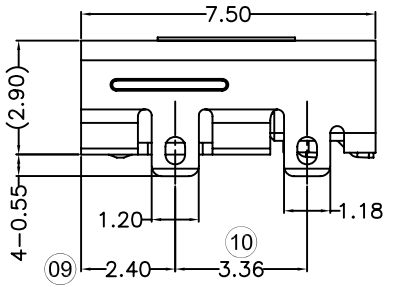
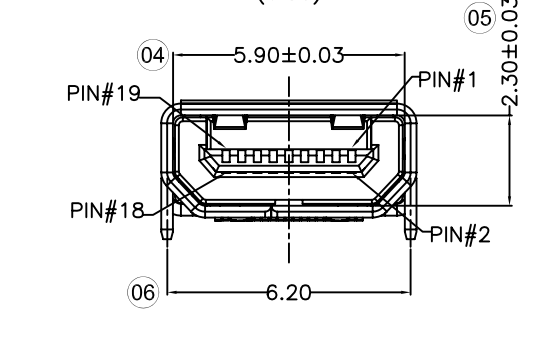
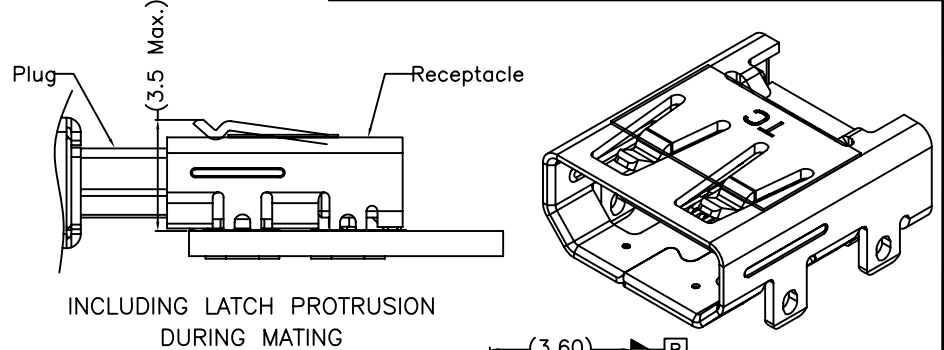
THE PART MEETS TECONN "GP001" COMPLIANCE



PIN	SIGNAL ASSIGNMENT
1	HOT PLUG DETECT
3	TMDS DATA2+
5	TMDS DATA2-
7	TMDS DATA1 SHIELD
9	TMDS DATA0+
11	TMDS DATA0-
13	TMDS CLOCK SHIELD
15	CEC
17	SCL
19	+5V Power

PIN	SIGNAL ASSIGNMENT
2	UTILITY
4	TMDS DATA2 SHIELD
6	TMDS DATA1+
8	TMDS DATA1-
10	TMDS DATA0 SHIELD
12	TMDS CLOCK+
14	TMDS CLOCK-
16	DDC/CEC GROUND
18	SDA

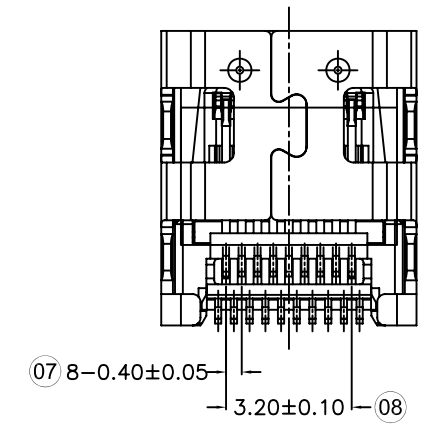
CONNECTION	SIGNALS
	TYPE D CONNECTOR
FIRST MAKE	CONNECTOR SHELL
SECOND MAKE	PINS 1-18
THIRD MAKE	PIN19(+5V POWER)



RECOMMENDED PCB LAYOUT CONNECTOR SIDE(.XX±0.05)

- NOTE:
- CONTACT CURRENT RATING: 0.3 AMPERES.
 - VOLTAGE: 40 VAC MAXIMUM.
 - DIELECTRIC WITHSTANDING VOLTAGE:
UNMATED CONNECTORS,APPLY: 250V AC(RMS.)
MATED CONNECTOR,APPLY: 150V AC(RMS.)
 - CONTACT RESESTANCE: 10 MILLIOHMS MAXIMUM.
 - INSULATION RESISTANCE: 100 MEGOHMS MINIMUM.
 - OPERATING TEMPERATURE: -25°C~80°C.
 - INSERTION FORCE: 44.1N MAXIMUM.
 - WITHDRAWAL FORCE: 5~25N. AFTER 5,000 CYCLES MATING 3~25N.
 - PART NO.: A151902-A(B)-XX-R

ITEM	TITLE	MATERIAL	DESCRIPTION	REMARK
1	9PIN TERMINAL	COPPER ALLOY C5210	CONTACT AREA:AU(SEE P/N);	T=0.12
2	10PIN TERMINAL		SOLDER AREA:AU 1U" MIN.	
3	9PIN INSERTMOLD	LCP	UL94V-0	BLACK
4	10PIN INSERTMOLD			
5	SHELL	STAINLESS STEEL SUS304	PLATING:HALF-BRIGHT TIN	T=0.30
6	MYLAR		TRANSLUCENCY	1PC



Terminal Contact Area Plating:
 01: Au 1u" 03: Au 3u"
 05: Au 5u" 10: Au 10u"
 15: Au 15u" 30: Au 30u"
 SHELL LOGO TYPE:
 A: "TC" LOGO
 B: WITHOUT LOGO

X. ± 0.35	APPD: Henry Sun	TITLE: HDMI TYPE D RECEPTACLE CONNECTOR	PART NO: A151902-A(B)-XX-R	
.X ± 0.25	CHKD: Lina kui			
.XX ± 0.15	DR: Lina kui	DWG NO: C-A151902-A(B)-XX-R	CUSTOMER DRAWING	SHEET:10F1
.XXX±		UNITS: mm	SCALE: 5:1	REV: C
X* ± 2*				
.X* ± 1.5*				

REV	ECN NO	DESCRIPTION	DATE
C	TE2016-0231	Updating Drawing	2016/11/24
B	TE2012-0351	Updating Drawing	2012/07/31
A	TE2012-0023	New Drawing	2012/02/06