



TAI-SAW TECHNOLOGY CO., LTD.

No. 3, Industrial 2nd Rd., Ping-Chen Industrial District,
Taoyuan, 324, Taiwan, R.O.C.

TEL: 886-3-4690038 FAX: 886-3-4697532

E-mail: ttsales@mail.taisaw.com Web: www.taisaw.com

Product Specifications Approval Sheet

Product Name: SAW Filter 2450MHz SMD 3.0x3.0 mm (BW=100MHz)

TST Parts No.: TA2483A

Customer Parts No.: _____

Company: _____
Division: _____
Approved by : _____
Date: _____

Checked by: _____ Michael Yang *Michael*

Approval by: _____ Andy Yu *Andy Yu*

Date: _____ 2018/11/20



TAI-SAW TECHNOLOGY CO., LTD.

No. 3, Industrial 2nd Rd., Ping-Chen Industrial District,
Taoyuan, 324, Taiwan, R.O.C.

TEL: 886-3-4690038 FAX: 886-3-4697532

E-mail: tstsales@mail.taisaw.com Web: www.taisaw.com

SAW Filter 2450 MHz

MODEL NO.: TA2483A

REV. NO.:1

A. MAXIMUM RATING:

1. Input Power Level: 15 dB_m
2. DC voltage: 3 V
3. Operating Temperature: -40°C to +85°C
4. Storage Temperature: -40°C to +85°C
5. Moisture Sensitivity Level: Level 1(MSL1)

RoHS Compliant
Lead free
Lead-free soldering

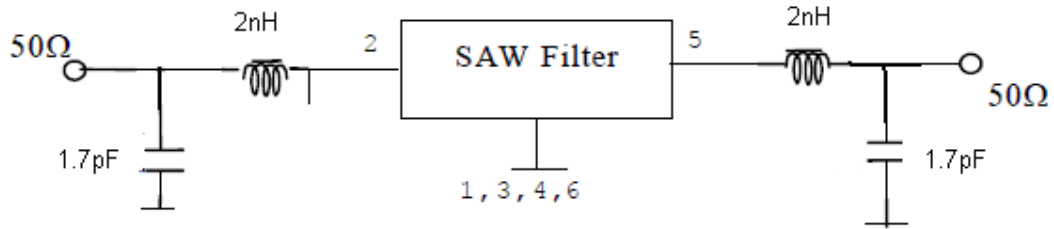
Electrostatic Sensitive Device (ESD)

B. ELECTRICAL CHARACTERISTICS:

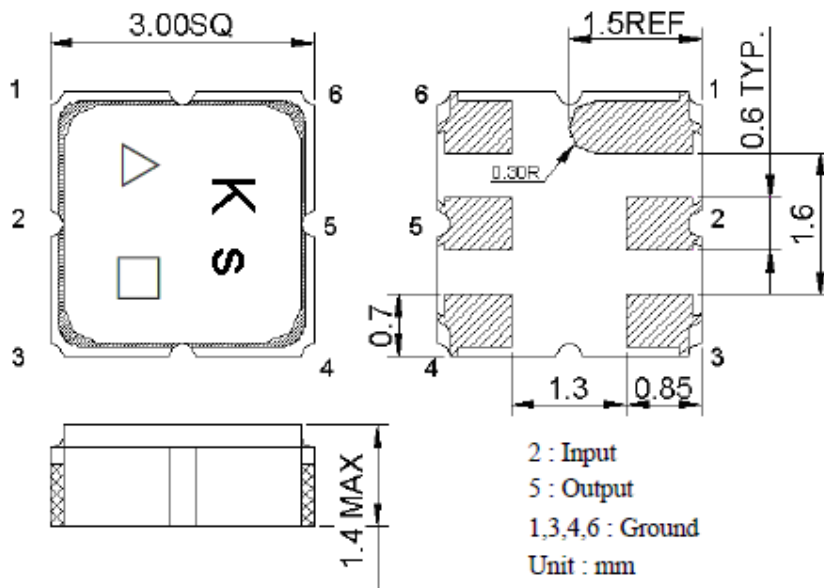
Item	Unit	Min.	Typ.	Max.
Center Frequency	MHz	-	2450	-
Insertion Loss (2400~2500 MHz)	dB	-	1.6	2.8
Amplitude ripple (2400~2500 MHz)	dB	-	1.0	1.8
VSWR (2400~2500 MHz)	-	-	1.4	2.3
Attenuation				
DC ~ 960 MHz	dB	27	32	-
960 ~ 1570 MHz	dB	27	32	-
1570 ~ 1580 MHz	dB	27	32	-
1580 ~ 1710 MHz	dB	27	32	-
1710 ~ 1910 MHz	dB	27	32	-
1910 ~ 1980 MHz	dB	27	32	-
2110 ~ 2170 MHz	dB	27	32	-
2640 ~ 3000 MHz	dB	28	33	-
3000 ~ 4500 MHz	dB	25	28	-
Temperature Coefficient	ppm/K	-	-36	-

C. MEASUREMENT CIRCUIT:

Network analyzer



D. OUTLINE DRAWING:



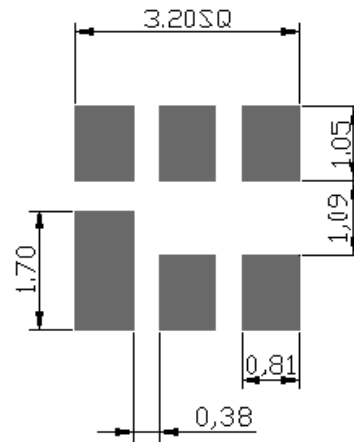
△ : Year Code (2009->9, 2010->0, ..., 2018->8)

□ : Date Code (Follow the table from planner each year)

Date Code Table

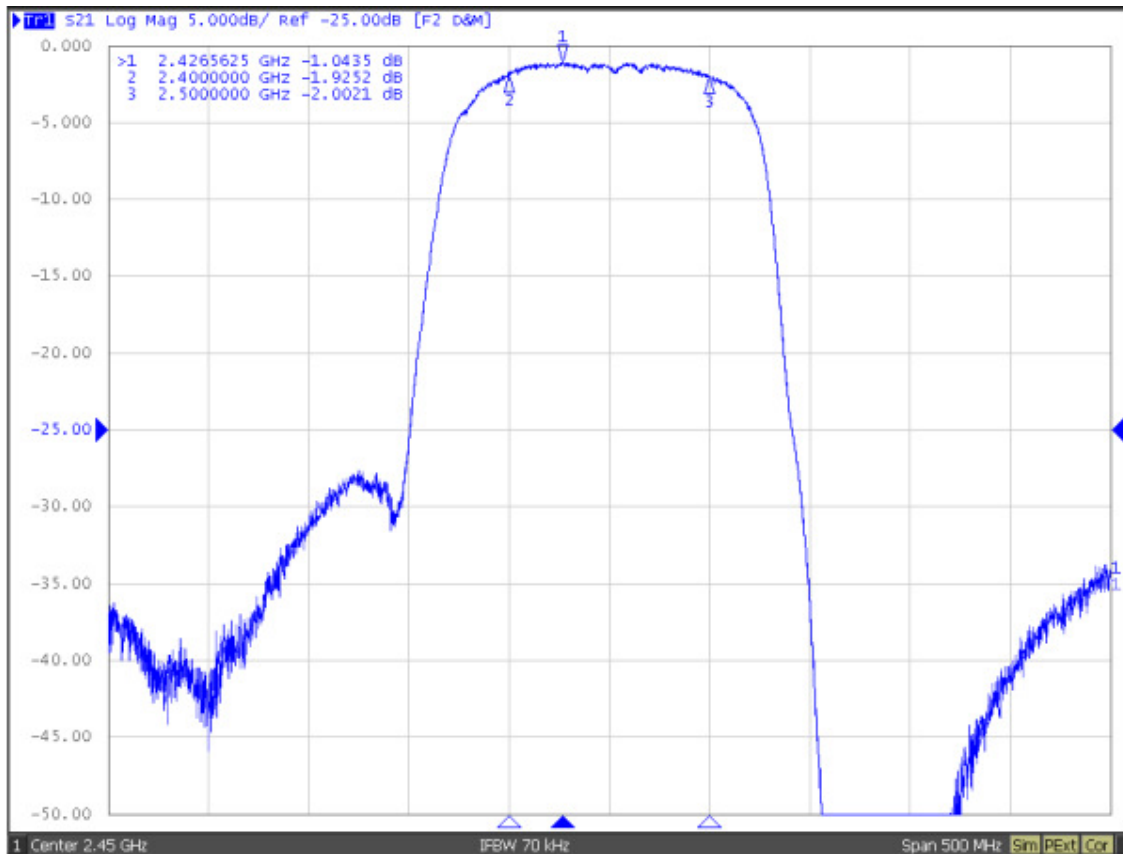
WK01	WK02	WK03	WK04	WK05	WK06	WK07	WK08	WK09	WK10	WK11	WK12	WK13
A	B	C	D	E	F	G	H	I	J	K	L	M
WK14	WK15	WK16	WK17	WK18	WK19	WK20	WK21	WK22	WK23	WK24	WK25	WK26
N	O	P	Q	R	S	T	U	V	W	X	Y	Z
WK27	WK28	WK29	WK30	WK31	WK32	WK33	WK34	WK35	WK36	WK37	WK38	WK39
a	b	c	d	e	f	g	h	i	j	k	l	m
WK40	WK41	WK42	WK43	WK44	WK45	WK46	WK47	WK48	WK49	WK50	WK51	WK52
n	o	p	q	r	s	t	u	v	w	x	y	z

E. PCB Footprint:



F. Frequency Characteristics:

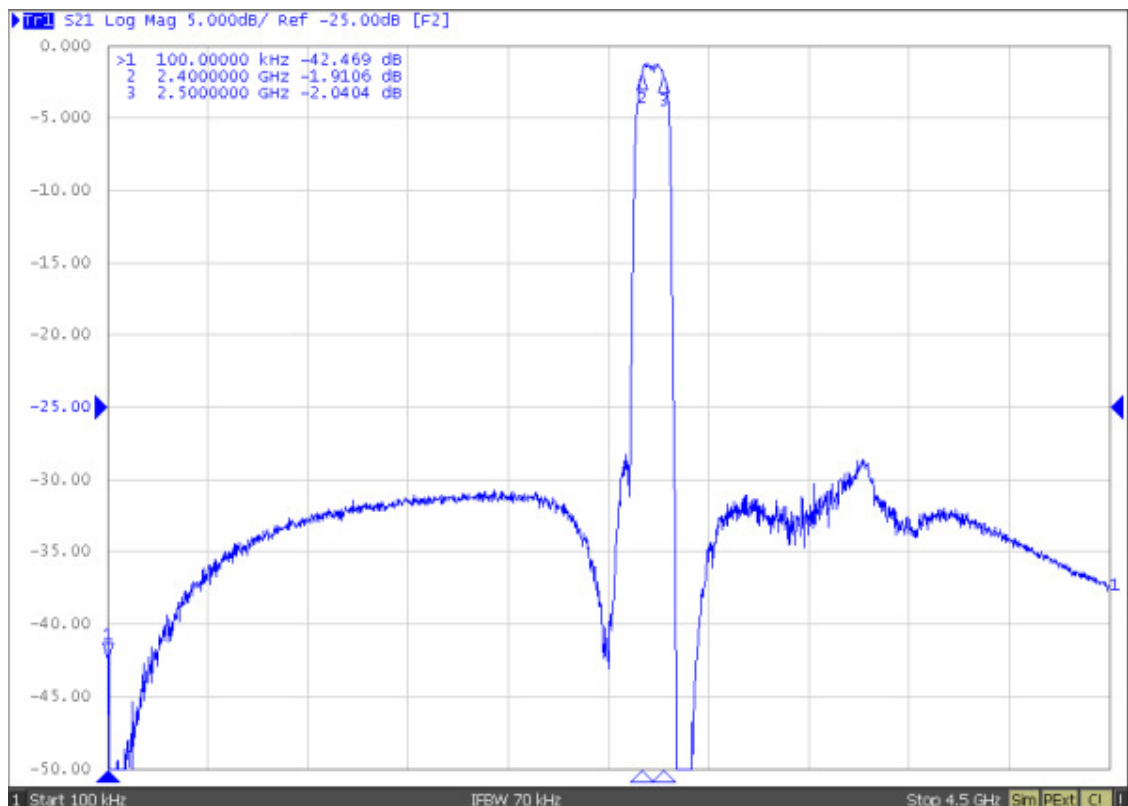
S21 response: (span 500MHz)



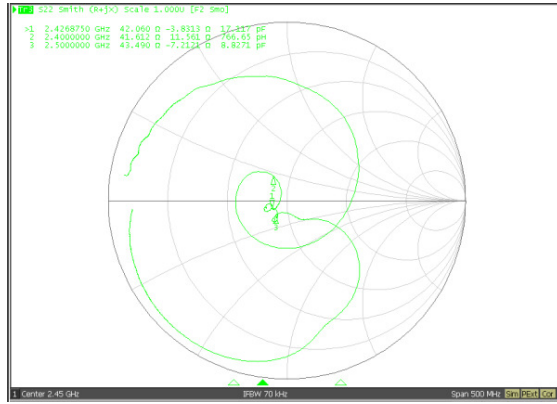
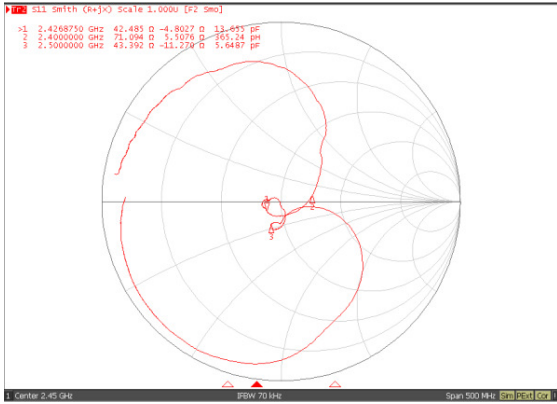
S21 response: (span 200MHz)



S21 response: (span 4.5GHz)



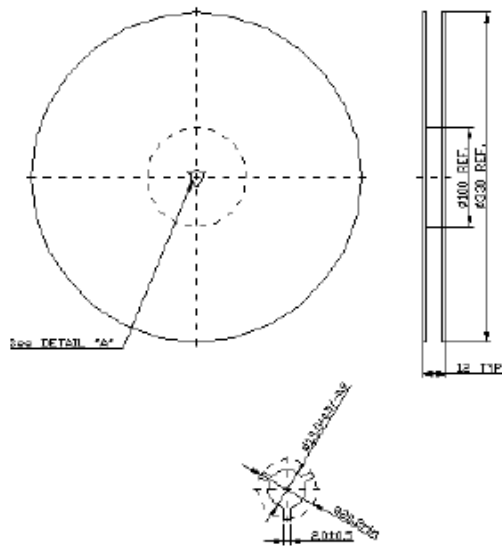
S11/S22 : (span 500MHz)



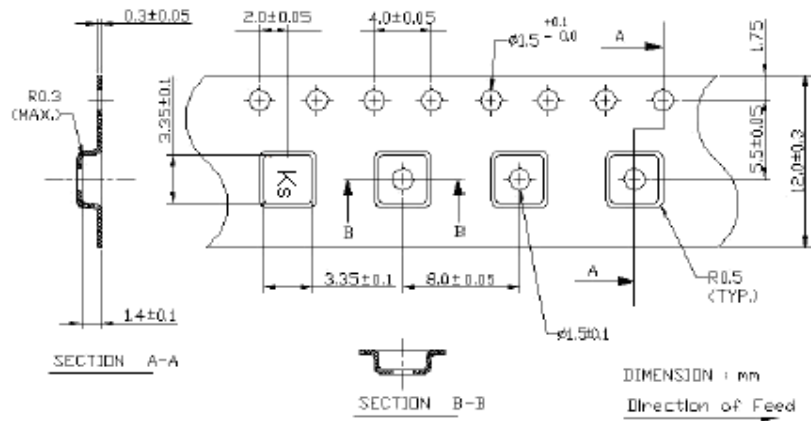
G. PACKING: (Ref. WI-75M03)

1. REEL DIMENSION

(Please refer to FR-75D10 for packing quantity)



2. TAPE DIMENSION



H. Recommended Reflow Profile:

1. Preheating shall be fixed at 150~180°C for 60~90 seconds.
2. Ascending time to preheating temperature 150°C shall be 30 seconds min.
3. Heating shall be fixed at 220°C for 50~80 seconds and at 260°C+0/-5°C peak (20~40sec).
4. Time: 2 times.

