



# Application Note: AN\_SY8707

## High Efficiency, 1MHz, 1.5A, 30V Step Down White LED Driver

### Preliminary Specification

## General Description

SY8707 is a high efficiency step down regulator capable of driving 1.5A white LED from up to 30V input. It integrates the low  $R_{ON}$  MOSFET and internal compensation. The 1MHz switching frequency allows the use of very small inductor. The LED current is programmable through the external resistor. It incorporates both analog and PWM dimming onto a single control pin.

## Features

- Wide input range: 2.5-30 V
- 1 MHz switching frequency
- Very low  $R_{ON}$ : 100m $\Omega$
- 100Hz-1kHz wide PWM dimming frequency range
- 0.65-1.2V analog dimming
- Compact package: SOT23-6
- RoHS Compliant and Halogen Free

## Ordering Information

SY8707 

- Temperature Code
- Package Code
- Optional Spec Code

Temperature Range: -40°C to 85°C

Ordering Number	Package type	Note
SY8707ABC	SOT23-6	1.5A

## Applications

- IP camera and CCD camera
- Flash light
- Display cabinet lamp
- LED sign

## Typical Applications

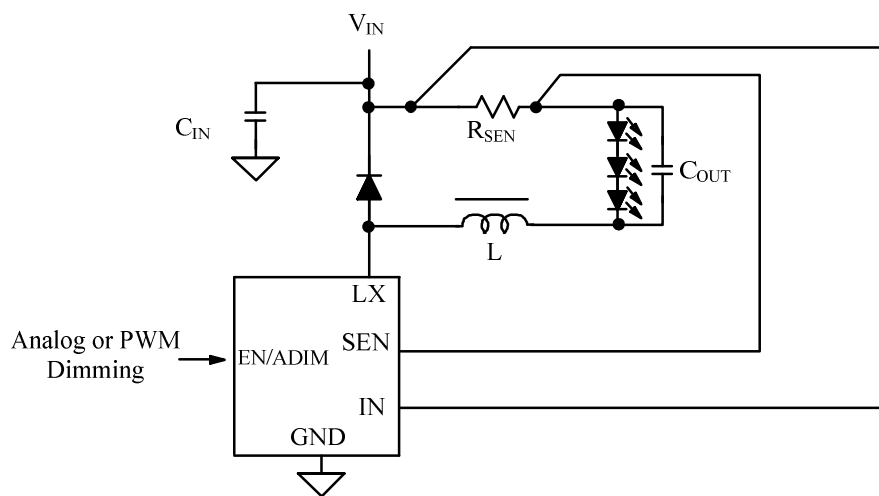
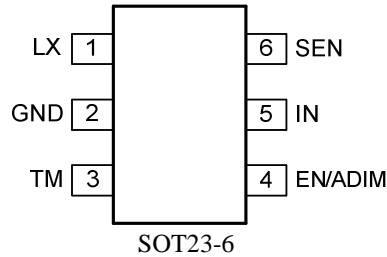


Figure1. Schematic diagram

## Pinout (top view)



**Top Mark: TWxyz** (device code: TW, *x*=year code, *y*=week code, *z*=lot number code)

Pin Name	Pin Number	Pin Description
LX	1	Inductor node. Connect an inductor between IN pin to LX pin.
GND	2	Ground pin
TM	3	Test mode pin. Ground this pin in the real application.
EN/ADIM	4	On/Off Control Input and Dimming Command Input. A voltage greater than 0.65V will turn on the chip. When the EN/ADIM pin voltage rises from 0.65V to 1.2V, the LED current will change from 0% to 100% of the maximum LED current. To use PWM dimming, apply a 100Hz to 1kHz square wave signal with amplitude greater than 1.2V to this pin.
IN	5	Input pin. Decouple this pin to GND pin with 1uF ceramic cap. Also used as the positive current sense pin.
SEN	6	Negative Current Sense Pin.

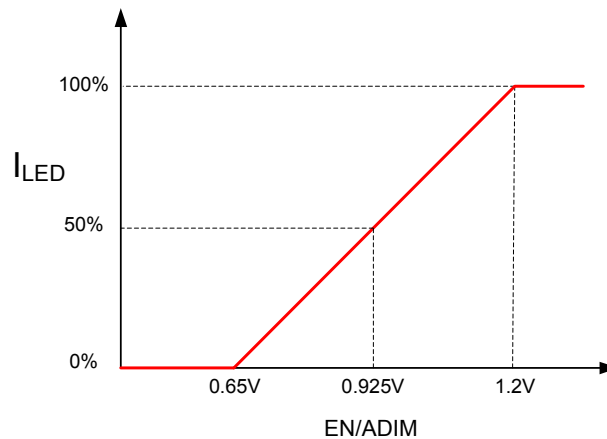


Figure2. Analog Dimming Curve

## Absolute Maximum Ratings (Note 1)

LX, IN, EN/ADIM	33V
SEN	$V_{IN} \pm 0.7V$
All other pins	4V
Power Dissipation, PD @ TA = 25°C SOT23-6,	0.55W
Package Thermal Resistance (Note 2)	
$\theta_{JA}$	180°C/W
$\theta_{JC}$	140°C/W



Junction Temperature Range ----- 125°C  
 Lead Temperature (Soldering, 10 sec.) ----- 260°C  
 Storage Temperature Range ----- -65°C to 150°C

## Recommended Operating Conditions (Note 3)

IN, LX, EN/ADIM----- 2.5V to 30V  
 Junction Temperature Range ----- -40°C to 125°C  
 Ambient Temperature Range ----- -40°C to 85°C

## Electrical Characteristics

( $V_{IN} = 5V$ ,  $I_{OUT} = 100mA$ ,  $T_A = 25^\circ C$  unless otherwise specified)

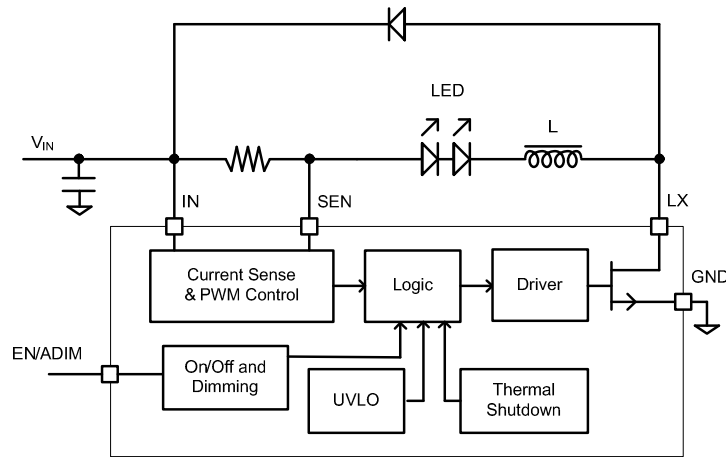
Parameter	Symbol	Test Conditions	Min	Typ	Max	Unit
Input Voltage Range	$V_{IN}$		2.5		30	V
Quiescent Current	$I_Q$	$V_{IN-SEN} = 0.3V$		100	200	$\mu A$
Shutdown Current	$I_{SHDN}$	EN=0		10	15	$\mu A$
Internal Reference Voltage	$V_{REF}$	EN=3V	96	100	104	mV
Low Side Main FET $R_{DS(ON)}$	$R_{DS(ON)}$			100		m $\Omega$
Main FET Current Limit	$I_{LIMI}$		2			A
ADIM Linear Dimming Range	$V_{ADIM}$		0.65		1.2	V
ADIM Dimming Accuracy	$I_{LED,ACC}$	$V_{ADIM} = 0.65V$		TBD		%
		$V_{ADIM} = 1.2V$		100		%
EN Rising Threshold	$V_{ENH}$				0.65	V
EN Falling Threshold	$V_{ENL}$		0.3			V
IN UVLO Rising Threshold	$V_{IN,UVLO}$				2.5	V
UVLO Hysteresis	$U_{VLO,HYS}$			0.2		V
Switching Frequency	$F_{SW}$		0.8	1	1.2	MHz
Minimum ON Time	$T_{ON,MIN}$			100		nS
Maximum Duty Cycle	$D_{MAX}$			90		%
Thermal Shutdown Temperature	$T_{SD}$			150		C
Thermal Hysteresis	$T_{HYS}$			20		C

**Note 1:** Stresses listed beyond “Absolute Maximum Ratings” may cause permanent damage to the device. These are for stress ratings. Functional operation of the device at these or any other conditions beyond those indicated in the operational sections of the specifications is not implied. Exposure to absolute maximum rating conditions may remain possibility to affect device reliability.

**Note 2:**  $\theta_{JA}$  is measured in the natural convection at  $T_A = 25^\circ C$  on a low effective single layer thermal conductivity test board of JEDEC 51-3 thermal measurement standard.

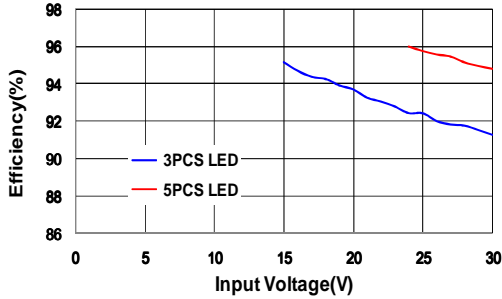
**Note 3:** The device is not guaranteed to function outside its operating conditions

## Block Diagram

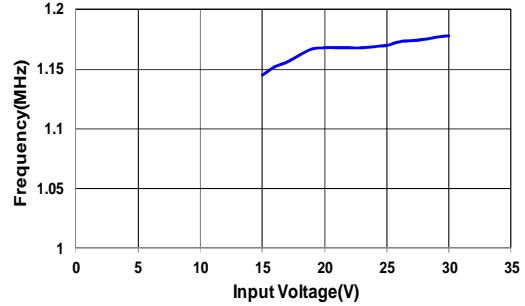


## Typical Operation Characteristics

Efficiency vs. Input Voltage  
(L=6.8uH, I<sub>o</sub>=1A)



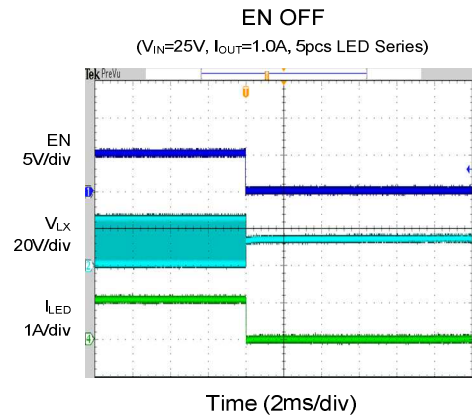
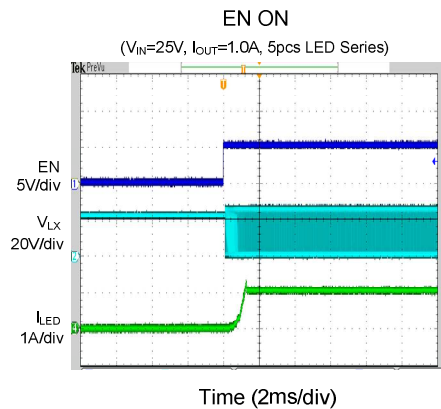
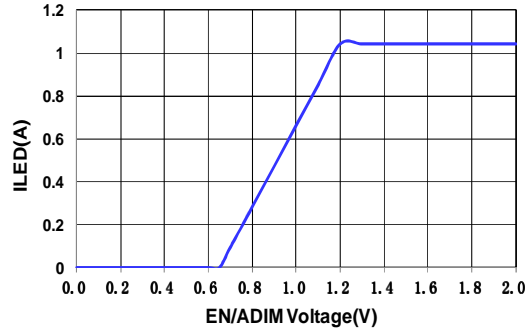
Frequency vs. Input Voltage  
(L=6.8uH, I<sub>o</sub>=1A, 3 pcs LED Series)

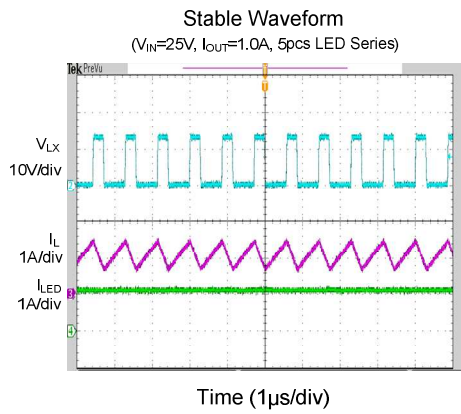
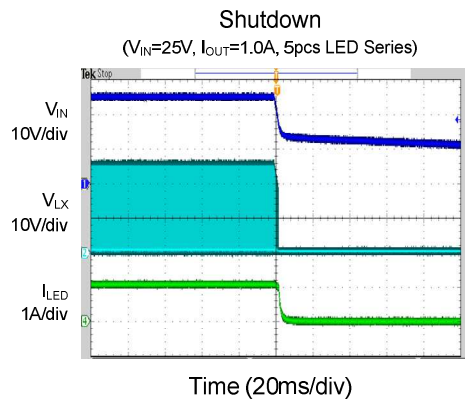
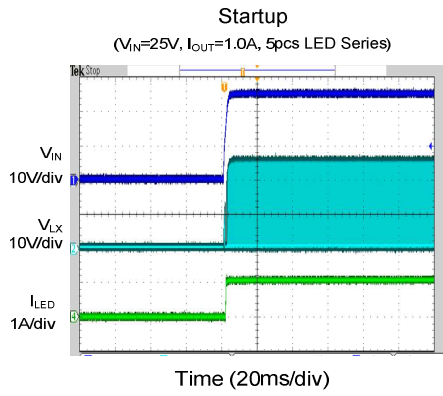


PWM Dimming: PWM Duty vs. LED Current  
(L=6.8uH, I<sub>o</sub>=1A, V<sub>in</sub>=15V, 3 pcs LED Series)



Analog Dimming: EN/ADIM Voltage vs. LED Current  
(L=6.8uH, I<sub>o</sub>=1A, V<sub>in</sub>=15V, 3 pcs LED Series)







## Operation

SY8707 is a floating buck regulator IC that integrates the PWM control, power MOSFET on the same die to minimize the switching transition loss and conduction loss. With ultra low  $R_{DS(ON)}$  power switches and proprietary PWM control, this regulator IC can achieve the high efficiency and the high switch frequency simultaneously to minimize the external inductor and capacitor size, and thus achieving the minimum solution footprint.

## Applications Information

Because of the high integration in the SY8707 IC, the application circuit based on this regulator IC is rather simple. Only input capacitor  $C_{IN}$ , output capacitor  $C_{OUT}$ , output inductor  $L$  and current sense resistor  $R_{SEN}$  need to be selected for the targeted applications specifications.

### Current sense resistor $R_{SEN}$ :

Choose  $R_{SEN}$  to program the proper output Current:

$$I_{LED}(A) = \frac{0.1(V)}{R_{SEN}(\Omega)}$$

### Input capacitor $C_{IN}$ :

The ripple current through input capacitor is calculated as:

$$I_{CIN\_RMS} = I_{OUT} \cdot \sqrt{D(1-D)}$$

A typical X7R or better grade ceramic capacitor with suitable capacitance should be chosen to handle this ripple current well. To minimize the potential noise problem, place this ceramic capacitor really close to the IN and GND pins. Care should be taken to minimize the loop area formed by  $C_{IN}$ , and IN/GND pins.

### Output capacitor $C_{OUT}$ :

The output capacitor is selected to handle the output current ripple noise requirements. For the best

performance, it is recommended to use X7R or better grade ceramic capacitor greater than 1uF capacitance.

### Output inductor $L$ :

There are several considerations in choosing this inductor.

- 1) Choose the inductance to provide the desired ripple current. It is suggested to choose the ripple current to be about 40% of the maximum output current. The inductance is calculated as:

$$L = \frac{V_{OUT}(1 - V_{OUT}/V_{IN,MAX})}{F_{SW} \times I_{OUT,MAX} \times 40\%}$$

where  $F_{sw}$  is the switching frequency and  $I_{OUT,MAX}$  is the LED current.

The SY8707 regulator IC is quite tolerant of different ripple current amplitude. Consequently, the final choice of inductance can be slightly off the calculation value without significantly impacting the performance.

- 2) The saturation current rating of the inductor must be selected to be greater than the peak inductor current under full load conditions.

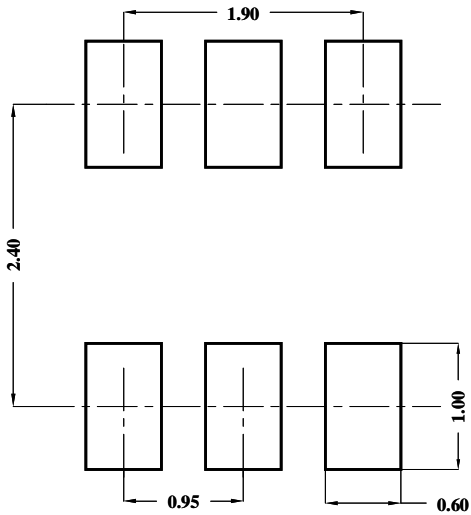
$$I_{SAT, MIN} > I_{OUT, MAX} + \frac{V_{OUT}(1 - V_{OUT}/V_{IN,MAX})}{2 \cdot F_{SW} \cdot L}$$

### Layout Design:

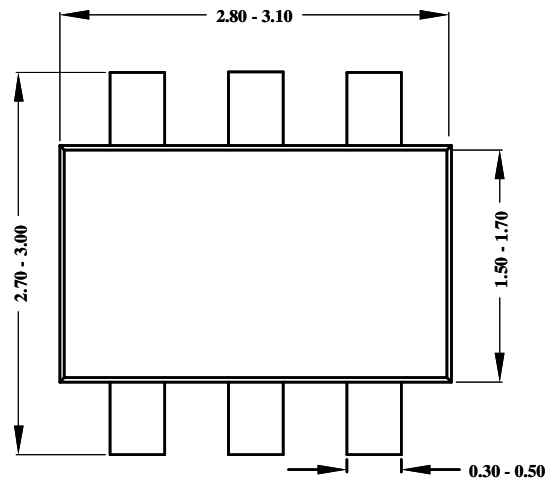
The layout design of SY8707 regulator is relatively simple. For the best efficiency and minimum noise problems, we should place the following components close to the IC:  $C_{IN}$ ,  $L$ ,  $C_{OUT}$  and  $R_{SEN}$ .

- 1) It is desirable to maximize the PCB copper area connecting to GND pin to achieve the best thermal and noise performance. If the board space allowed, a ground plane is highly desirable.
- 2)  $C_{IN}$  must be close to Pins IN and GND. The loop area formed by  $C_{IN}$  and GND must be minimized.
- 3) The PCB copper area associated with LX pin must be minimized to avoid the potential noise problem.

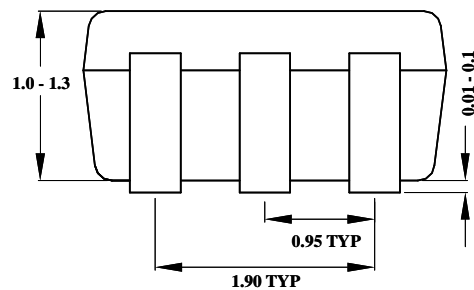
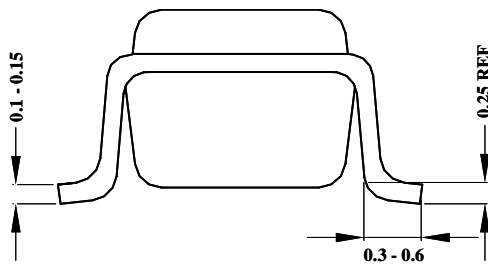
## SOT23-6 Package Outline & PCB layout



**Recommended Pad Layout**



**Top View**



**Notes: All dimensions are in millimeters.  
All dimensions don't include mold flash & metal burr.**