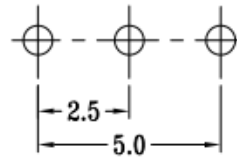


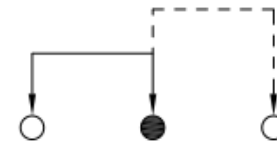
G=2~9MM



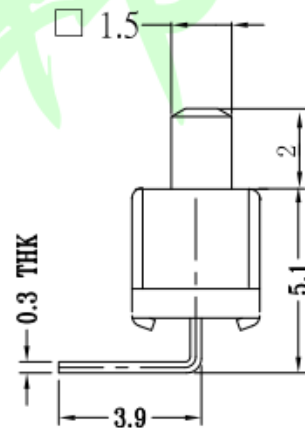
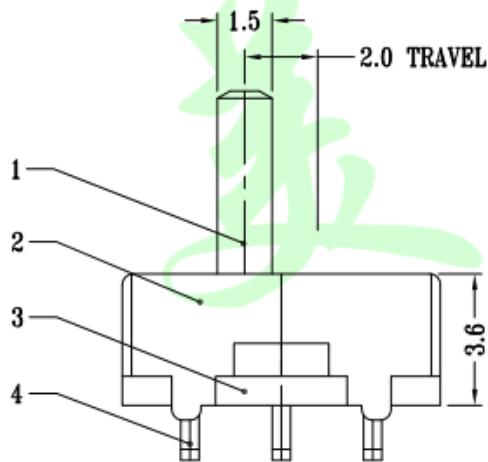
P.C.B LAYOUT
BOTTOM VIEW

SPECIFICATIONS

| | |
|-----------------------|--------------|
| Rating | 0.3A 50V DC |
| FUNCTION | 1P2T |
| Contact Resistance | 200mΩ Max. |
| Insulation Resistance | 100MΩ Min. |
| Operating Force | 200gf ± 80gf |
| Operating Life | 10,000 cycle |



SCHEMATIC



| NO. | PARTS | MATERIALS | QTY | FINISH |
|-----|--------------|----------------|-----|-----------|
| 5 | CONTACT CLIP | PBS STRIP | 1 | Ag PLATED |
| 4 | TERMINAL | BRASS | 3 | Ag PLATED |
| 3 | BASE | PHENOLIC RESIN | 1 | NATURAL |
| 2 | FRAME | STEEL STRIP | 1 | Ni PLATED |
| 1 | KNOB | POM | 1 | BLACK |

| | | | |
|-------------|--------|--------|--------|
| >0.5~2 | ± 0.05 | ± 0.10 | ± 0.15 |
| >2~5 | ± 0.15 | ± 0.20 | ± 0.25 |
| >5~10 | ± 0.25 | ± 0.28 | ± 0.30 |
| 角度 ANGLE | ± 0.5° | | |
| 未注尺寸公差 (mm) | | | |

第一视角



| | | |
|-------------------|----------------|------------|
| 设计 Jack Jin | 图面 单位 MM | A4 |
| 审核 Jacky Zhong | 比例 重量 | |
| 批准 Tony Meng | 页码 版次 | 1/1 A/0 |

| | | | |
|--|----------|----------------------|------------|
| 东莞市美韩电子科技有限公司 Dongguan Usakro Electronic Technology Co., Ltd. | | | |
| 1:1 | DWG NO. | 型号: SS-12D03-G2 | SIZE A4 |
| 1 of 1 | PART NO. | 规格: 8.7*3.7*3.6 1P2T | VER R |