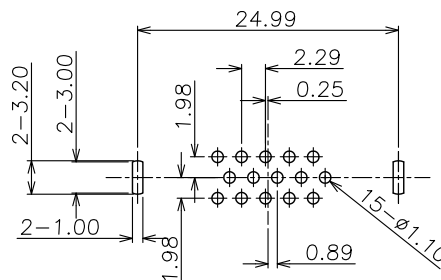
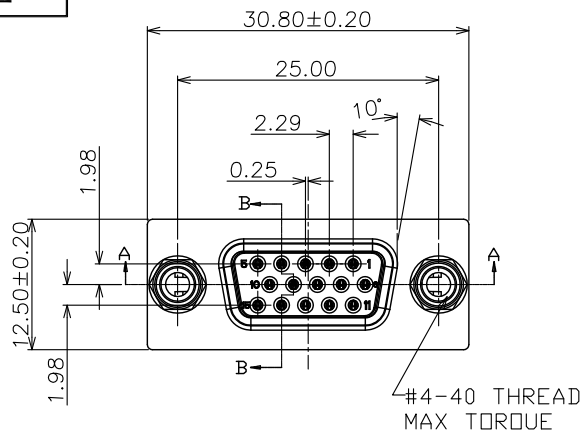


符合"DLK环境管理物质技术标准"

符合"IEC协会标准"

工程变更通知单 ECN(DCN) NO.	版本 REV	日期 DATE	说明 DESCRIPTION	改变 CHANGE	承认 APPRO.
KSECN14056	A	20140915	NEW RELEASE	—	—
KSECN19026	B	20190603	依实物增加10H字样  *1	王永辉	严成旺



**PCB LAYOUT**

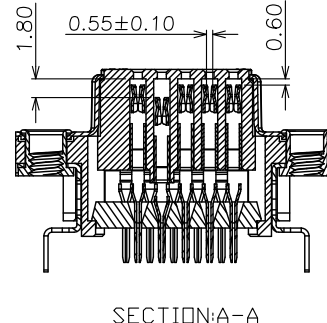
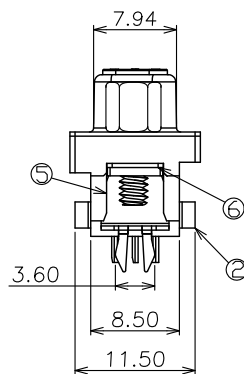
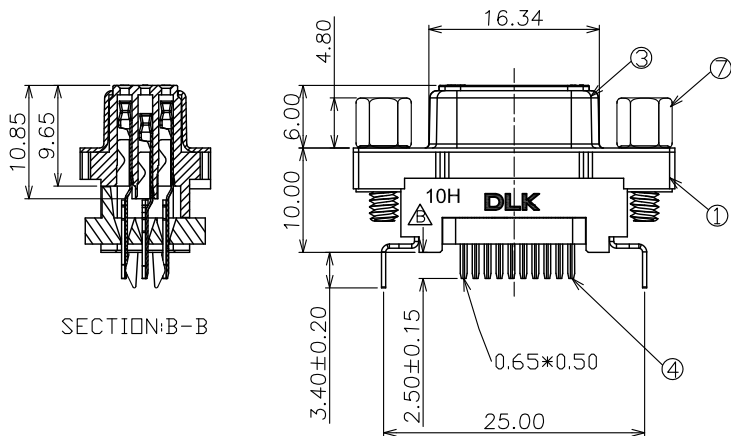
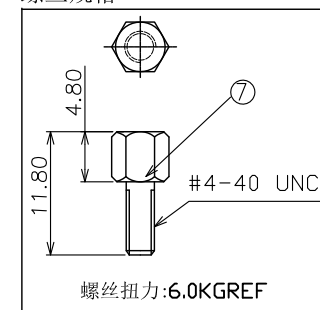
THICKNESS:1.20±0.10mm.  
TOLERANCE:±0.05mm.

DSB47 C-15 \* S1 Y N3 G  
① ② ③ ④ ⑤ ⑥ ⑦ ⑧

- ① PRODUCTION CODE (产品编码):  
DSB47: D-SUB-15PIN(180°&10H)
- ② CHARACTER (特征):  
C:DIP TYPE(180i°)
- ③ POSITION (位数):  
15:15PIN
- ④ COLOR OF HOUSING(本体颜色):  
L:BLUE  
B:BLACK
- ⑤ PLATING OF CONTACT(端子电镀):  
S1:AU AND TIN PLATED
- ⑥ PACKAGE (包装):  
Y:TRAY PACKAGE
- ⑦ PLATING OF SHELL (铁壳电镀):  
N3:NI PLATED
- ⑧ TYPE:

G: 锁螺丝

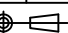
螺丝规格



产品净重: 7.55g

7	SCREW	2	1215MS	Ni PLATED
6	RIVET	2	COPPER ALLOY	Ni PLATED
5	BOARD LOCK	2	FERRO/COPPER ALLOY	Tin PLATED
4	CONTACT	15	COPPER ALLOY	Au AND Tin PLATED
3	SHELL	1	FERROALLOY	Ni PLATED
2	COVER	1	PBT	UL94V-0
1	HOUSING	1	PBT	UL94V-0
NO.	ITEM	Q'TY	DESCRIPTION	FINISH

GENERAL TOLERANCE  
UNLESS OTHERWISE NOTED

Angle	±5°
X.	±0.30
.X	±0.25
.XX	±0.15
.XXX	±0.10
A4	



德力康电子科技有限公司

DLK DELIKANG ELECTRONICS TECHNOLOGY CO.,LTD

C 名称 TITLE	D-SUB V/T 10H CONN.	料号 PART NO.	DSB47C-15*S1YN3G
档案名称 FILE NAME.	C-DSB47-00-0G	PART NO. (OLD)	
DRAWING	王永辉	CHECKED	APPROVED 严成旺
UNIT:	mm	SCALE	1:1
		SHEET: 1 of 1	