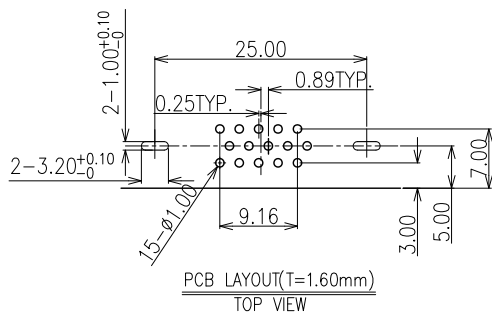
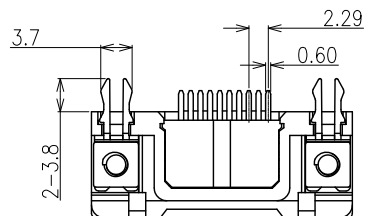
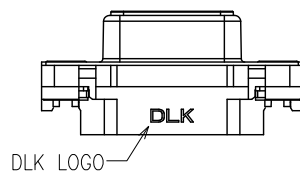
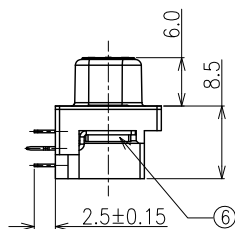
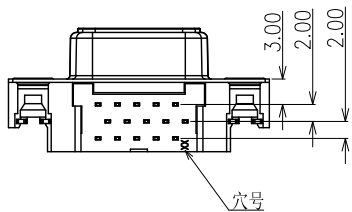
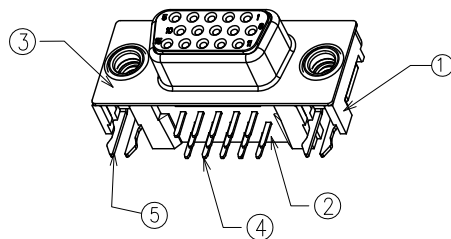
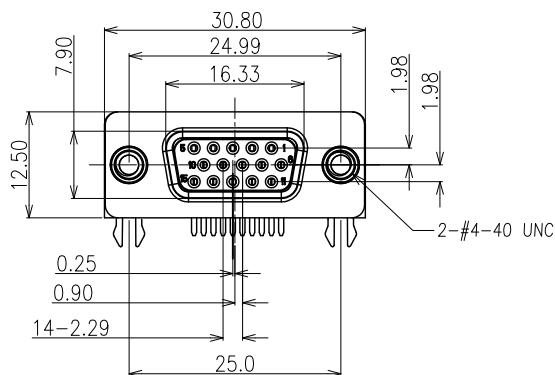


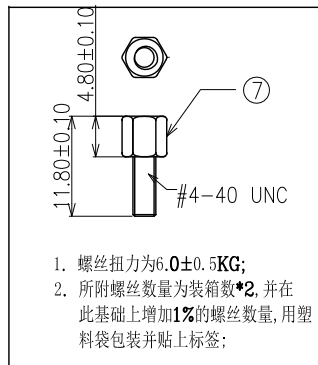
符合"DLK环境管理物质技术标准"

符合"IEC协会标准"

工程变更通知单 ECN(DCN) NO.	版本 REV	日期 DATE	说明 DESCRIPTION	变更 CHANGE	核准 APPRO.
KSECN18036	A	20181023	NEW	—	—



螺丝规格

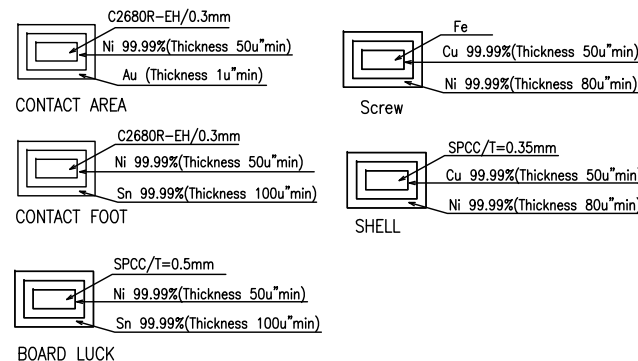


1. 螺丝扭力为6.0±0.5KG;
2. 所附螺丝数量为装箱数\*2, 并在此基础上增加1%的螺丝数量, 用塑料袋包装并贴上标签;

DSB6R D-15 \* M1 Y N3 \*

- ① PRODUCTION CODE (产品编码):  
DSB6R: D-SUB-15PIN(3.0) CONN
- ② CHARACTER (特征):  
D: DIP TYPE
- ③ POSITION (位数):  
15: 15PIN
- ④ COLOR OF HOUSING(本体颜色):  
L: BLUE COLOR  
B: BLACK CLOR
- ⑤ PLATING OF CONTACT(端子电镀):  
M1 :GOLD FLASH AND TIN PLATED (镀黄锡)
- ⑥ PACKAGE(包装):  
Y :TRAY PACKAGE
- ⑦ PLATING OF SHELL(铁壳电镀):  
N3:NI PLATD
- ⑧ TYPE:  
0: 无螺丝(后盖全封)  
1: 锁螺丝(后盖全封)  
—> 2: 附螺丝(后盖全封)

电镀规格:



7	SCREW	2	FERROALLOY	Ni PLATED
6	RIVET	2	COPPER ALLOY	Ni PLATED
5	BOARD LUCK	2	FERROALLOY	Tin PLATED
4	Contact	15	COPPER ALLOY	Au AND Tin PLATED
3	Shell	1	FERROALLOY	Ni PLATED
2	Cover	1	PBT+GF30	UL94V-0,BLUE/Black
1	Housing	1	PBT+GF30	UL94V-0,BLUE/Black
NO.	ITEM	Q'TY	DESCRIPTION	FINISH

GENERAL TOLERANCE UNLESS OTHERWISE NOTED

Angle	±5°
X.	±0.50
.X	±0.35
.XX	±0.25
.XXX	±0.15

德力康电子科技有限公司  
DLK DELIKANG ELECTRONICS TECHNOLOGY CO.,LTD

C	名称 TITLE:	D-SUB R/A 12.5H CONN			
C	档案名称 FILE NAME:	C-DSB6R-00-00	料号 PART NO:	DSB6RD-15*M1YN3*	
DRAWING	张志兵	CHECKED	—	APPROVED	严成旺
UNIT:	mm	SCALE	1:1	SHEET: 1 of 1	