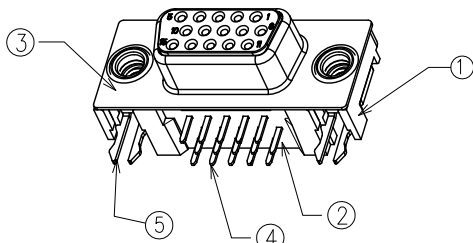
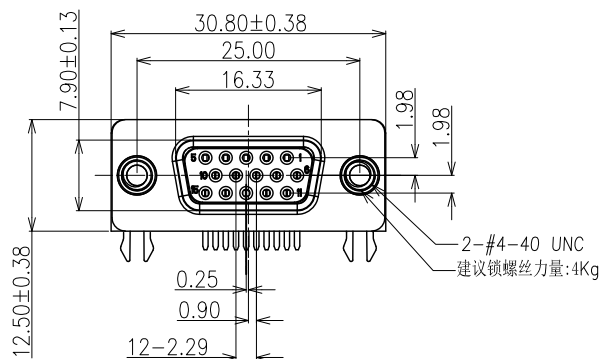


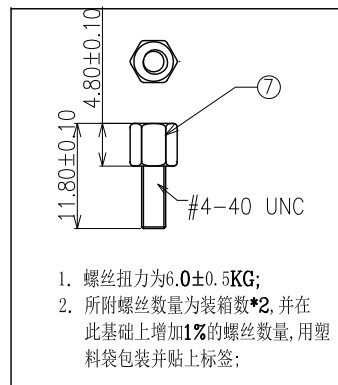
符合"DLK环境管理物质技术标准"

符合"IEC协会标准"

| 工程变更通知单 ECN(DCN) NO. | 版本 REV | 日期 DATE | 说明 DESCRIPTION | 变更 CHANGE | 核准 APPRO. |
|-------------------------|-----------|------------|-------------------------|--------------|--------------|
| KSECN15005 | A | 20150309 | NEW | — | — |
| KSECN16067 | B | 20160927 | 后盖增加逃料 Δ *1 | 万小龙 | 王永辉 |
| KSECN18038 | C | 20190402 | 增加锁螺丝和附螺丝料号 Δ *1 | 王永辉 | 严成旺 |



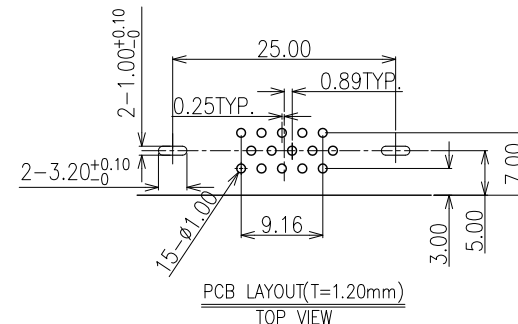
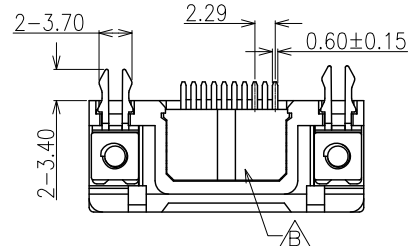
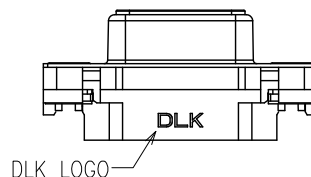
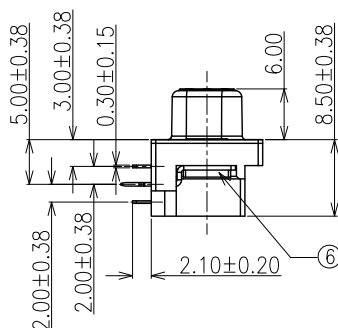
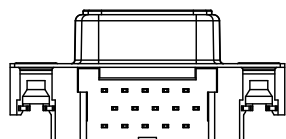
螺丝规格



DSB4W D-15 L M1 Y N3 *

① ② ③ ④ ⑤ ⑥ ⑦ ⑧

- ① PRODUCTION CODE (产品编码):
DSB4W: D-SUB-15PIN(3.0) CONN
- ② CHARACTER (特征):
D: DIP TYPE
- ③ POSITION (位数):
15: 15PIN
- ④ COLOR OF HOUSING(本体颜色):
L: BLUE COLOR
- ⑤ PLATING OF CONTACT(端子电镀):
M1 :GOLD FLASH AND TIN PLATED (镀锡)
- ⑥ PACKAGE(包装):
Y :TRAY PACKAGE
- ⑦ PLATING OF SHELL(铁壳电镀):
N3:NI PLATD
- ⑧ TYPE:
P: 无螺丝(后盖全封)
0: 锁螺丝(后盖全封)
 Δ : 4: 附螺丝(后盖全封)



| NO. | ITEM | Q'TY | DESCRIPTION | FINISH |
|-----|------------|------|--------------|-------------------|
| 7 | Screw | 2 | FERROALLOY | Nickel plated |
| 6 | RIVET | 2 | COPPER ALLOY | Ni PLATED |
| 5 | BOARD LUCK | 2 | FERROALLOY | Tin PLATED |
| 4 | Contact | 15 | COPPER ALLOY | Au AND Tin PLATED |
| 3 | Shell | 1 | FERROALLOY | Ni PLATED |
| 2 | Cover | 1 | PBT+GF30 | UL94V-0,Black |
| 1 | Housing | 1 | PBT+GF30 | UL94V-0,BLUE |

GENERAL TOLERANCE
UNLESS OTHERWISE NOTED

| | |
|-------|-------|
| Angle | ±5' |
| X. | ±0.50 |
| .X | ±0.35 |
| .XX | ±0.25 |
| .XXX | ±0.15 |
| A4 | |



德力康电子科技有限公司
DLK DELIKANG ELECTRONICS TECHNOLOGY CO.,LTD

| | | | | | |
|---------|--------------------|----------------------|----------------|------------------|-----|
| C | 名称 TITLE: | D-SUB R/A 12.5H CONN | | | |
| C | 档案名称 FILE NAME: | C-DSB4W-00-0P | 料号 PART NO: | DSB4WD-15LM1YN3* | |
| DRAWING | 王永辉 | CHECKED | — | APPROVED | 严成旺 |
| UNIT: | mm | SCALE | 1:1 | SHEET: 1 of 1 | |