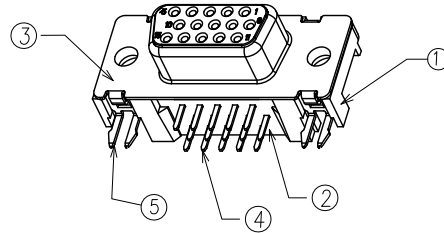
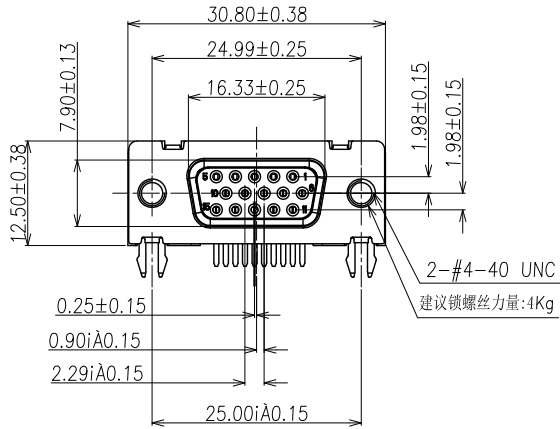


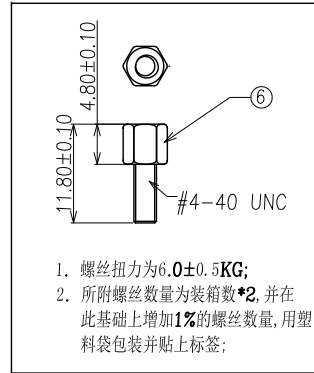
符合"DLK环境管理物质技术标准"

符合"IEC协会标准"

工程变更通知单 ECN(DCN) NO.	版本 REV	日期 DATE	说明 DESCRIPTION	改变 CHANGE	承认 APPRO.
	A	20140918	NEW		
KSECN16067	B	20160927	后盖增加逃料 Δ *1	万小龙	王永辉

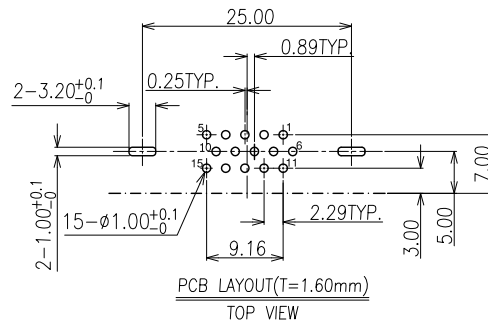
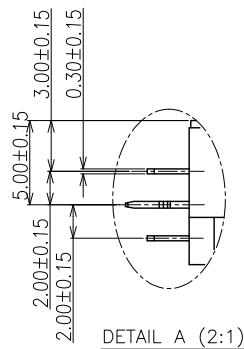
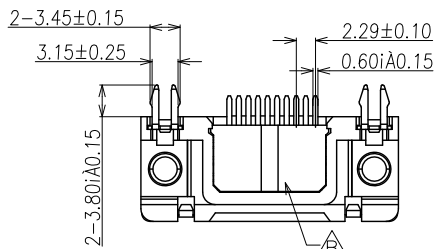
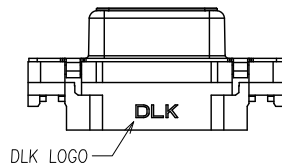
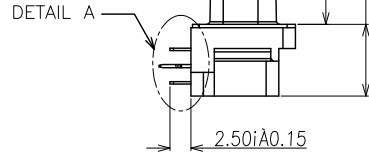
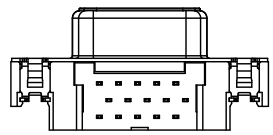


螺丝规格

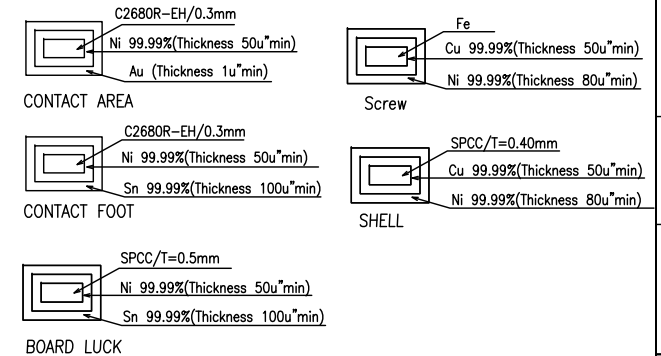


DSB4N D-15 L S1 Y N3 *
① ② ③ ④ ⑤ ⑥ ⑦ ⑧

- ① PRODUCTION CODE (产品编码):
DSB4N: D-SUB-15PIN(3.0) CONN
- ② CHARACTER (特征):
D: DIP TYPE
- ③ POSITION (位数):
15: 15PIN
- ④ COLOR OF HOUSING(本体颜色):
L: BLUE COLOR
- ⑤ PLATING OF CONTACT(端子电镀):
S1 :GOLD FLASH AND TIN PLATED (镀雾锡)
- ⑥ PACKAGE(包装):
Y :TRAY PACKAGE
- ⑦ PLATING OF SHELL(铁壳电镀):
N3:NI PLATD
- ⑧ TYPE:
0: 无螺丝
1: 锁螺丝
4: 附螺丝



电镀规格:



NO.	ITEM	Q'TY	DESCRIPTION	FINISH
6	Screw	2	FERROALLOY	Nickel plated
5	BOARD LUCK	2	FERROALLOY	Tin PLATED
4	Contact	15	COPPER ALLOY	Au And Tin plated
3	Shell	1	FERROALLOY	Ni PLATED
2	Cover	1	PBT	UL94V-0,BLUE
1	Housing	1	PBT	UL94V-0,BLUE

GENERAL TOLERANCE
UNLESS OTHERWISE NOTED

Angle	±5'
X.	±0.50
.X	±0.38
.XX	±0.25
.XXX	±0.10
A4	

德力康电子科技有限公司
DLK DELIKANG ELECTRONICS TECHNOLOGY CO.,LTD

C 名称 TITLE:	D-SUB R/A 12.5H CONN				
档案名称 FILE NAME:	C-DSB4N-00-00	料号 PART NO.:	DSB4ND-15LS1YN3*		
DRAWING	王永辉	CHECKED		APPROVED	严成旺
UNIT:	mm	SCALE	1:1	SHEET: 1 of 1	